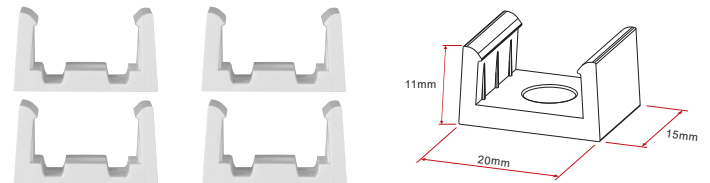


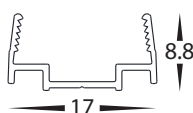

5W IP65 240V LED STRIP

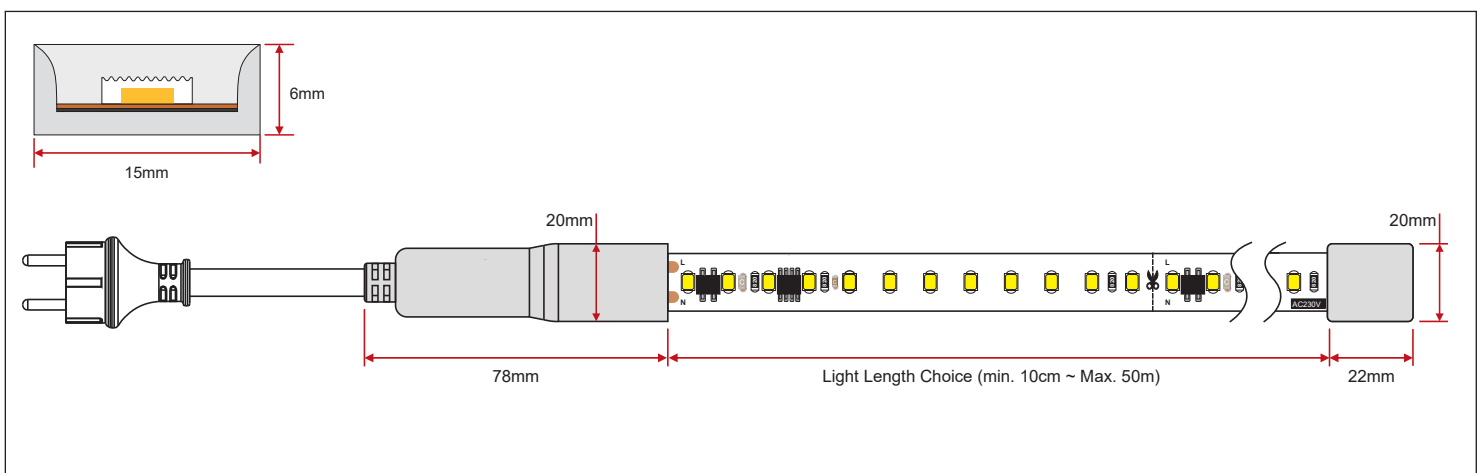
240V LED STRIP	
LED CHIP TYPE	2835
SIZE	20MM X 11MM (INC. END CAPS)
PCB	30Z
LED CHIPS PER METRE	120
CUT INCREMENTS	EVERY 100MM
WATTAGE PER METRE	5W
COLOUR TEMP.	3000K 4000K 6000K
LUMEN OUTPUT	480LM 490LM 500LM
INPUT VOLTAGE	240V AC
MOUNTING	MOUNTING CLIPS OR PC CHANNEL
MAXIMUM LENGTH	50 METRES
DIMMING	TRIAC* (MINIMUM DIMMING LEVEL = 30%)
OPERATING TEMP.	-20° TO 65° CELCIUS
AMBIENT TEMP.	-20° TO 45° CELCIUS
CRI	RA >90
BEAM ANGLE	150°
IP RATING	IP65
WARRANTY	5 YEAR REPLACEMENT



4x MOUNTING CLIPS INCLUDED PER METRE

PRODUCT ORDERING			
	HCP-3865053	3000K	480LM
	HCP-3865054	4000K	490LM
	HCP-3865056	6000K	500LM

PC CHANNEL	
HCP-3865-CHANNEL	PC CHANNEL TO SUIT - 1000MM LENGTHS ONLY
	



*Dimming results will vary depending on dimmer used.



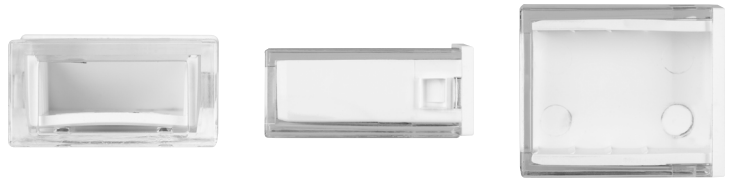
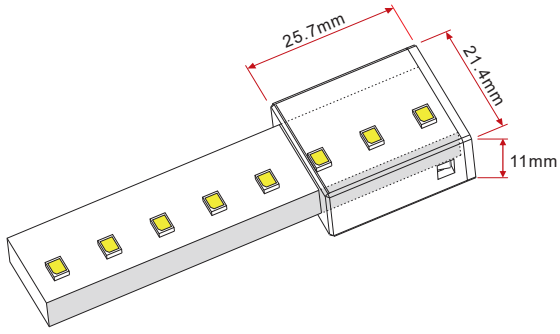
Web: www.havitcommercial.com.au
 Email: sales@havitcommercial.com.au
 Phone: 02 9381 8383
 ADDRESS: 8/133 Beauchamp Road, Matraville, N.S.W., 2036



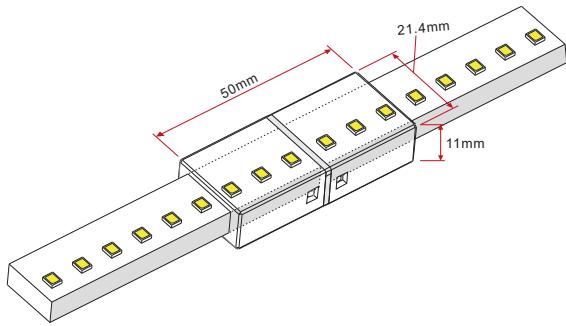
Warranty Terms & Conditions



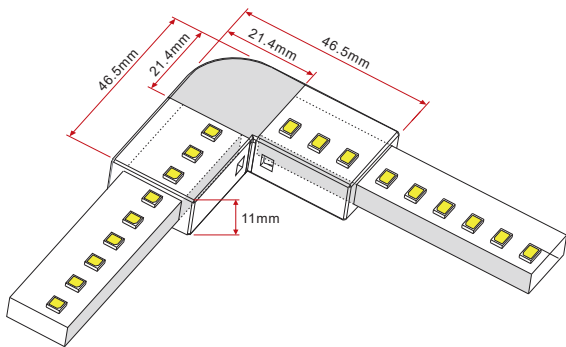
www.havitcommercial.com.au



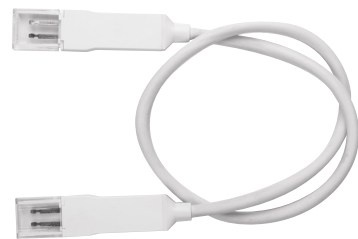
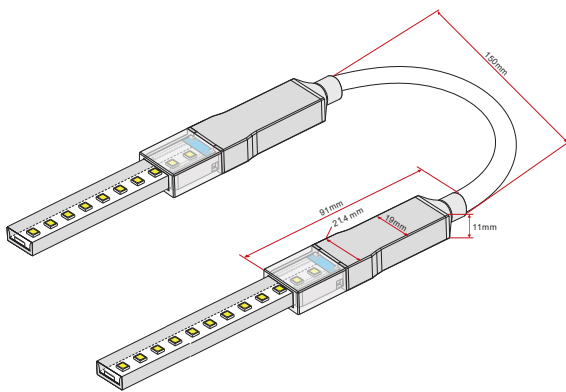
END CAP	
HCP-3865-EC	END CAP TO SUIT 240V LED STRIP



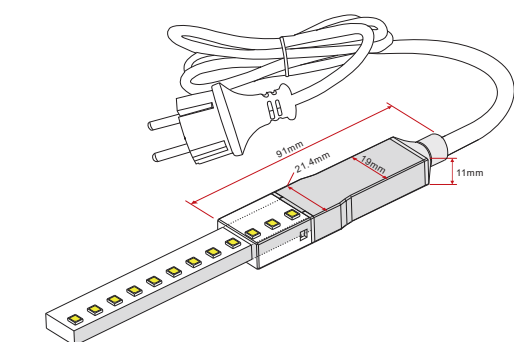
STRAIGHT CONNECTOR	
HCP-3865-SJ	STRAIGHT JOINER TO SUIT 240V LED STRIP



L-SHAPE CONNECTOR	
HCP-3865-LJ	L SHAPE CONNECTOR TO SUIT 240V LED STRIP



JOINERS WITH CABLE	
HCP-3865-JC	JOINER CABLE TO SUIT 240V LED STRIP



POWER CONNECTOR	
HCP-3865-PC	POWER CONNECTOR SUIT 240V LED STRIP