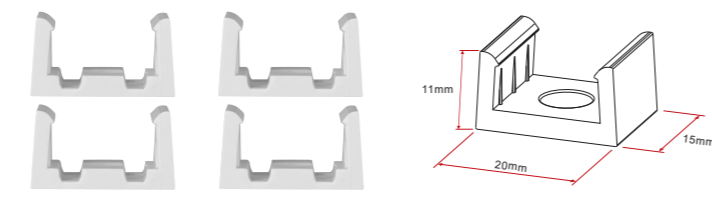


12W IP65 240V LED STRIP

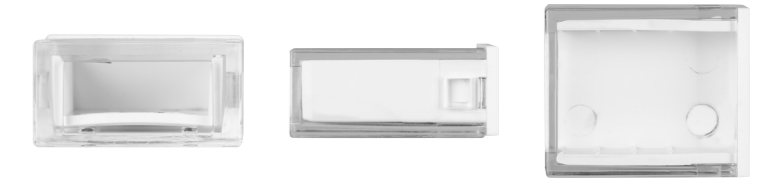
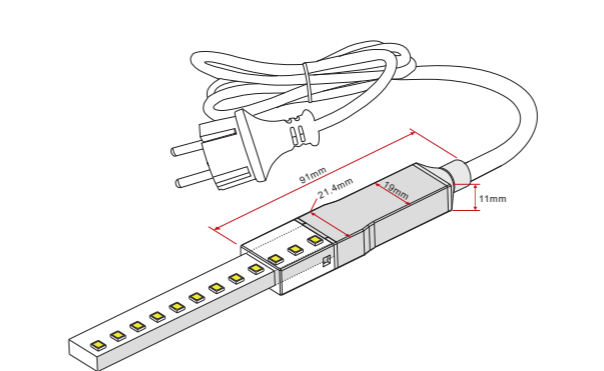
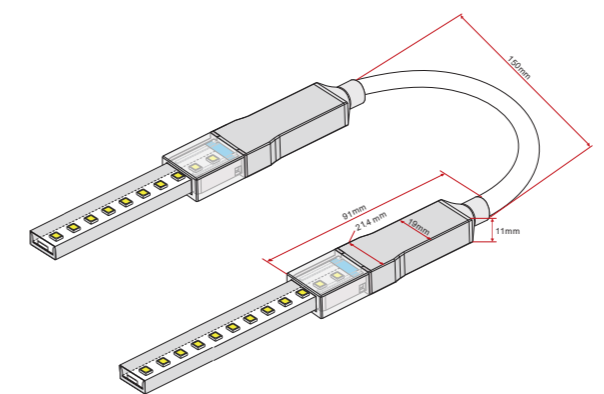
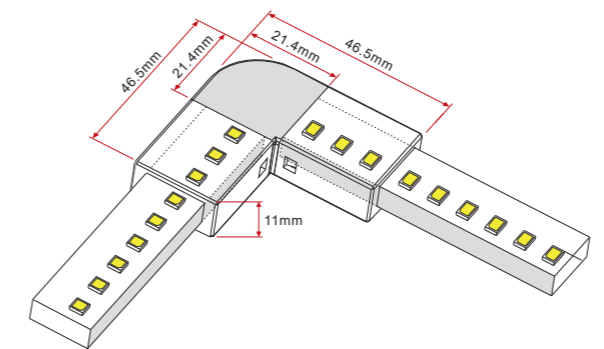
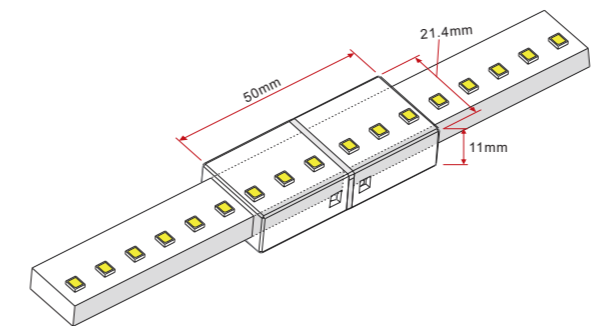
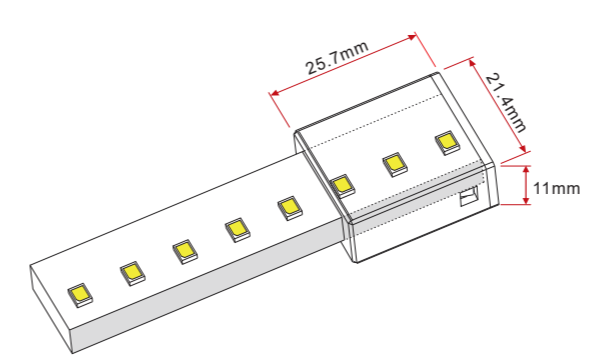
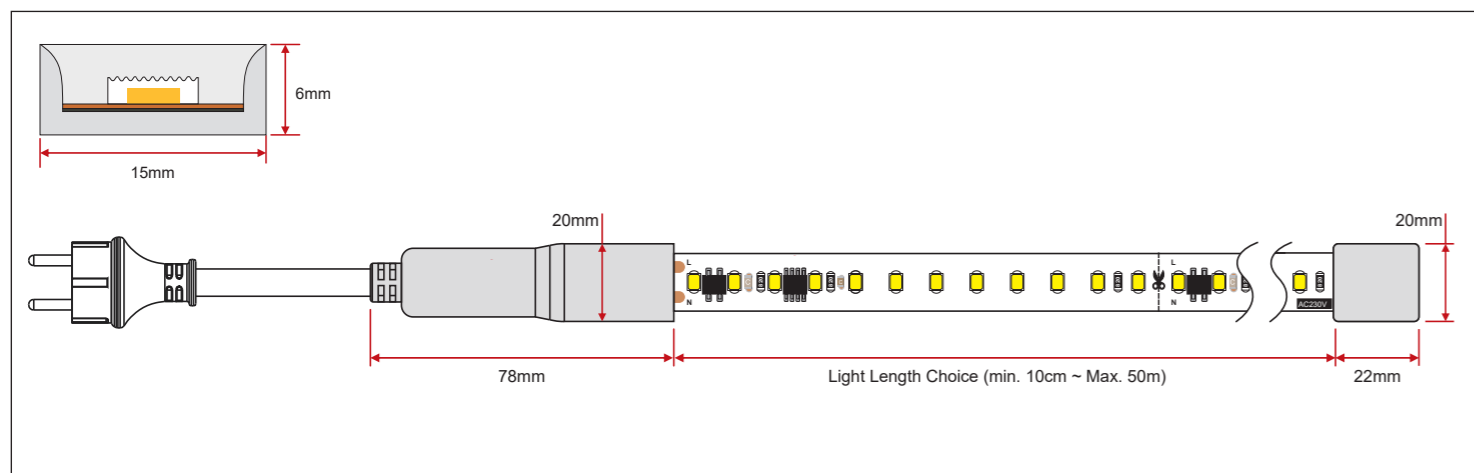


240V LED STRIP	
LED CHIP TYPE	2835
SIZE	20MM X 11MM (INC. END CAPS)
PCB	30Z
LED CHIPS PER METRE	120
CUT INCREMENTS	EVERY 100MM
WATTAGE PER METRE	12W
COLOUR TEMP.	3000K 4000K 6000K
LUMEN OUTPUT	1180LM 1190LM 1200LM
INPUT VOLTAGE	240V AC
MOUNTING	MOUNTING CLIPS OR PC CHANNEL
MAXIMUM LENGTH	50 METRES
DIMMING	TRIAC* (MINIMUM DIMMING LEVEL = 30%)
OPERATING TEMP.	-20° TO 65° CELCIUS
AMBIENT TEMP.	-20° TO 45° CELCIUS
CRI	RA >90
BEAM ANGLE	150°
IP RATING	IP65
WARRANTY	5 YEAR REPLACEMENT



PRODUCT ORDERING			
	HCP-3865123	3000K	1180LM
	HCP-3865124	4000K	1190LM
	HCP-3865126	6000K	1200LM

PC CHANNEL	
HCP-3865-CHANNEL	PC CHANNEL TO SUIT - 1000MM LENGTHS ONLY



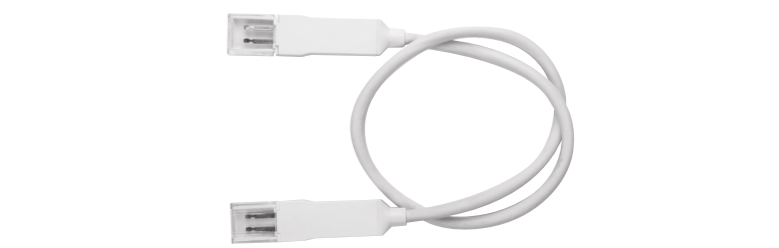
END CAP	
HCP-3865-EC	END CAP TO SUIT 240V LED STRIP



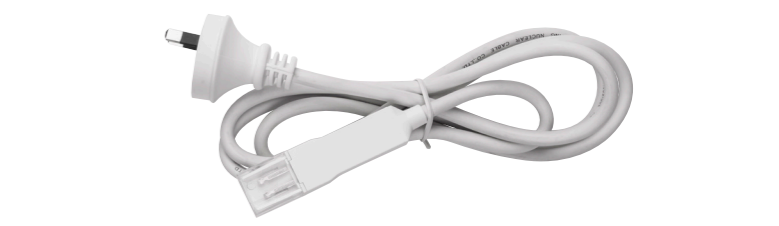
STRAIGHT CONNECTOR	
HCP-3865-SJ	STRAIGHT JOINER TO SUIT 240V LED STRIP



L-SHAPE CONNECTOR	
HCP-3865-LC	L SHAPE CONNECTOR TO SUIT 240V LED STRIP



JOINERS WITH CABLE	
HCP-3865-JC	JOINER CABLE TO SUIT 240V LED STRIP



POWER CONNECTOR	
HCP-3865-PC	POWER CONNECTOR SUIT 240V LED STRIP

*Dimming results will vary depending on dimmer used.

