
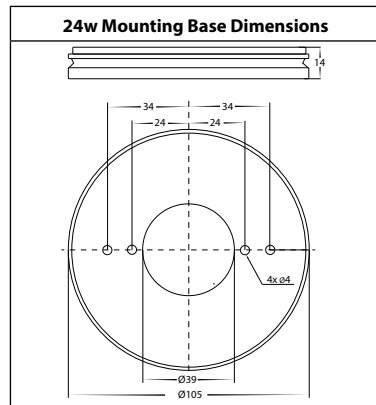
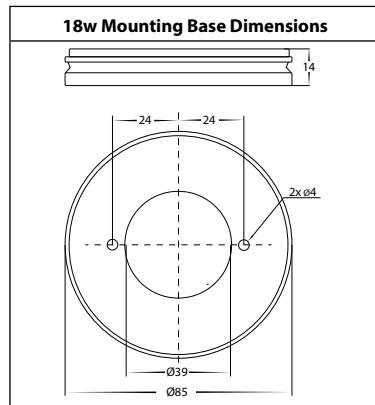
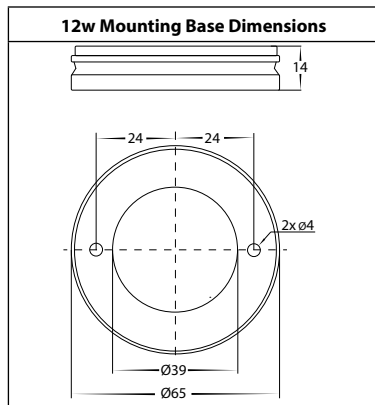
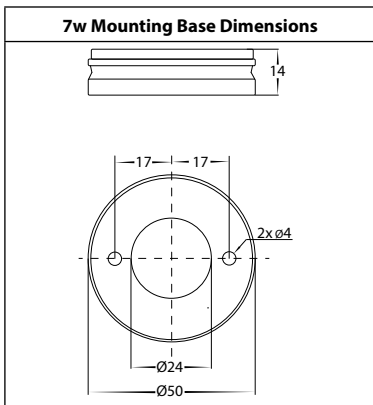
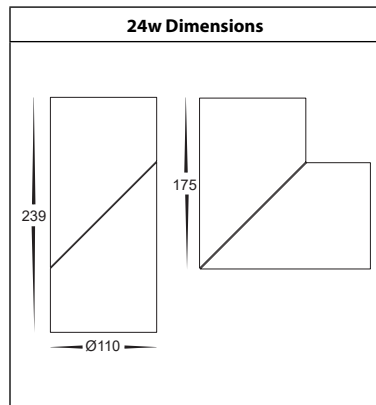
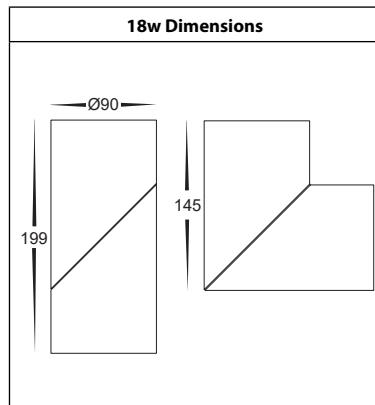
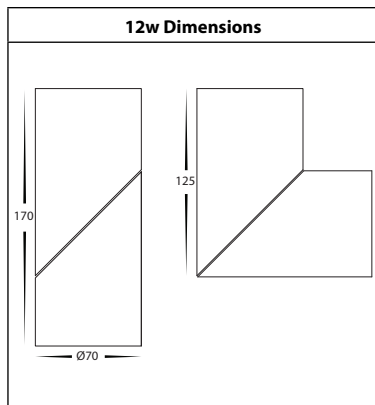
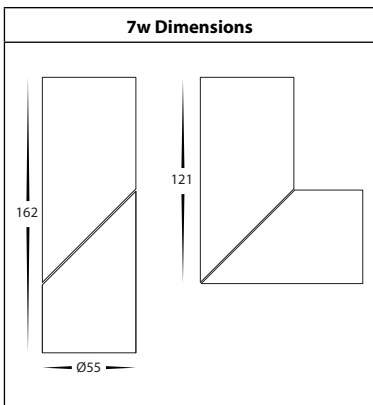


# Surface Mounted Downlight Installation Instructions



## Product Specifications

Model No.	HCP-8820704	HCP-8830704	HCP-8821204	HCP-8831204	HCP-8821804	HCP-8831804	HCP-8822404	HCP-8832404
Material	Aluminium							
Colour	Black	White	Black	White	Black	White	Black	White
Installation Type	Surface Mounted - Ceiling or Wall							
IP Rating	IP54							
Input Voltage	240v							
Protection Class	1 (Requires Earth) 							
Lamp Base	Built in LED							
Lamp Wattage	1x 7w		1x 12w		1x 18w		1x 24w	
Colour Temp	TRI-Colour - 3000k, 4000k, 5500k		TRI-Colour - 3000k, 4000k, 5500k		TRI-Colour - 3000k, 4000k, 5500k		TRI-Colour - 3000k, 4000k, 5500k	
Lumens	560lm, 595lm, 630lm		790lm, 855lm, 881lm		1440lm, 1530lm, 1620lm		1920lm, 2040lm, 2160lm	
CRI	> 90							
Dimmable	Yes - Dali Dimmable							
Warranty	5 Years Replacement*							



### Important Safety Issues:

- This product must be installed by a qualified electrician according to AS/NZS 3000.
- Ensure all electrical mains are disconnected before any installation.
- Modification of this product will void any warranty.
- Havit Commercial does not take responsibility for wrong installation, incorrect use, or use of installation material that does not belong to the system.
- Aluminium and 304SS fittings must not be installed within 5km of any salt water environments.
- All o-rings and seals must be in place correctly to maintain warranty
- This form may be updated at any time due to product improvements, please check online installation form for most current version.

### Steps for Installation:

1. Make sure that the electrical circuit is free of voltage (master switch off)
2. Remove base plate by loosening allen screws on side of fitting.
3. Unplug fitting from driver and set fitting aside
4. Install base plate in desired location using appropriate screws for application. If fitting is installed in an outdoor environment, Seal must stay in place to keep fittings IP Rating.
5. Connect the cable: Use wire with earth, connect earth first then positive and then neutral
6. Connect Dali Cable to Dali System
7. Reconnect plug from fitting to driver.
8. Fitting is preset to 3000k, To change slide switch inside fitting to desired colour temperature
9. Reattach fitting to base and tighten allen screws,
10. Rotate fitting if required to desired position making sure not to over rotate causing damage to fitting.
11. All connections must be carried out carefully, inspect all contacts before switching back on the electric circuit.

**Must be installed by a licensed electrician**

### Contact Details:

8/133 Beauchamp Road  
Matraville NSW 2036  
Australia  
Tel: 02 9381 8383  
Email: sales@havitcommercial.com.au  
Web: www.havitcommercial.com.au

### Warranty Terms & Conditions\*



[www.havitcommercial.com.au](http://www.havitcommercial.com.au)

