

# Plaster Wall Light Installation Instructions



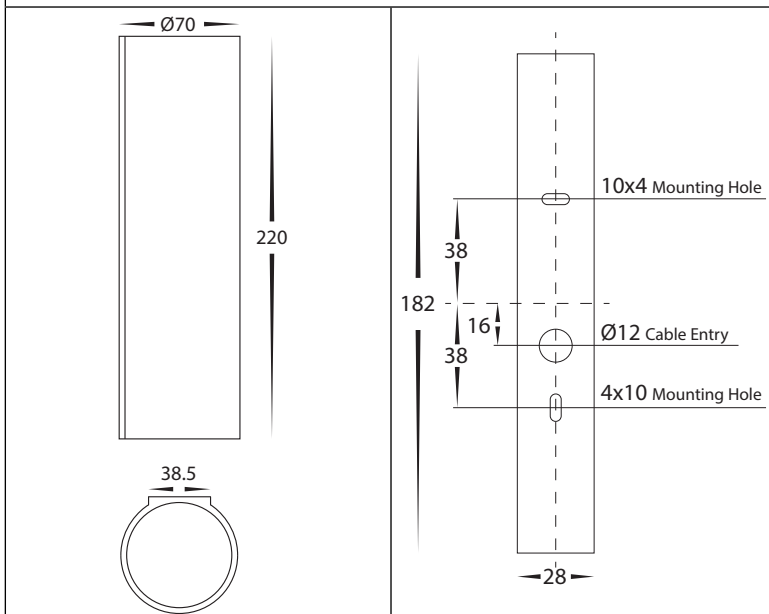
## Product Specifications

Model No.	HV8021T	HV8022T
Name	Valec	Strokka
Material	Plaster	
Colour	White (Can be painted)	
Installation Type	Wall - Surface Mounted	
IP Rating	IP20	
Input Voltage	240v AC	
Protection Class	1 - Earth Required	
Lamp Base	GU10 - 2x 35w Max	
Lamp Wattage	2x 5w	
Colour Temp	Tri Colour - 3000k, 4000k, 5500k	
Lumens	2x 270lm, 2x 285lm, 2x 300lm	
CRI	> 80	
Dimmable	Yes - Triac Dimmable	
Warranty	3 Years Replacement*	

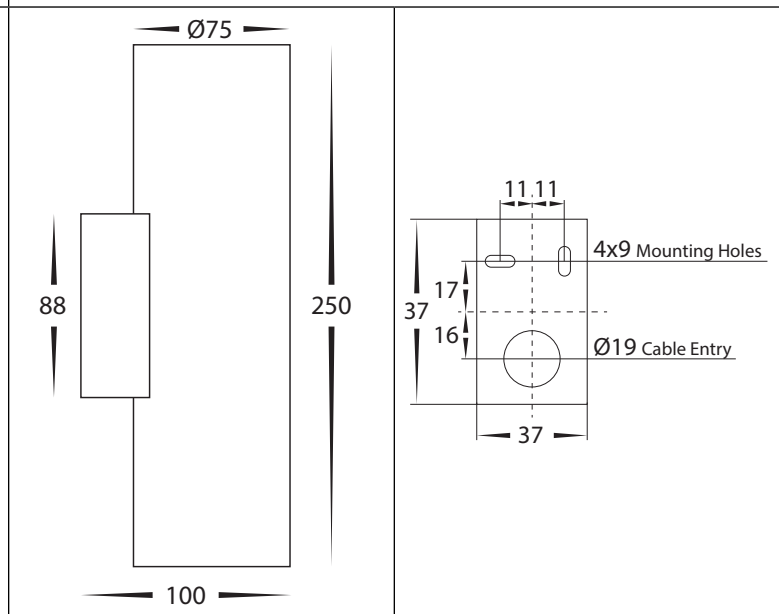
## Important Safety Issues:

- This product must be installed by a qualified electrician according to AS/NZS 3000.
- Ensure all electrical mains are disconnected before any installation.
- Modification of this product will void any warranty.
- Havit Lighting does not take responsibility for wrong installation, incorrect use, or use of installation material that does not belong to the system.
- Aluminium and 304SS fittings must not be installed within 5km of any salt water environments.
- All o-rings and seals must be in place correctly to maintain warranty.
- Plaster is very a fragile material, Mishandling of product will damage product and void warranty.
- Globes have been tested with Havit Lighting Dimmers and work correctly, Other brand dimmers may not have the same results and is not classified as a fault of the fitting.
- This form may be updated at any time due to product improvements, please check online installation form for most current version.

## HV8021T Dimensions



## HV8022T Dimensions



## Steps for Installation:

1. Make sure that the electrical circuit is free of voltage (master switch off)
2. Remove globes from HV8021T
3. Remove Mounting Bracket from fitting  
HV8021T - Remove 2x Nuts located at top and Bottom inside fitting and set aside  
HV8022T - Remove screw located at top of base and set aside
4. Install mounting bracket in desired location using appropriate screws for application.
5. Connect the cable - use wire with earth; connect the earth first, then live and neutral wire.
6. Slide fitting back over bracket  
HV8021T - Reattach nuts and tighten clockwise making sure not to overtighten as this could cause plaster to crack.  
HV8022T - Reinsert screw and tighten clockwise screw making sure not to overtighten as this could cause plaster to crack.
7. Fitting is Pre selected to 3000k, To Change remove globes from HV8022T  
Slide switch located on side of globe to desired colour temperature.
8. Insert globes into fitting and twist clockwise until locked into place
9. All connections must be carried out carefully, inspect all contacts before switching back on the electric circuit.

## Steps for Changing Globe:

1. Make sure that the electrical circuit is free of voltage (master switch off)
2. When Changing globes make sure not to exceed maximum wattage - Check product label for correct wattage.
  - Grab side of globe and twist anti clockwise and pull gently
  - Align pins of globe into lampholder and twist clockwise until locked into place.

**Must be installed by a licensed electrician**

## Contact Details:

143 Beauchamp Road  
Matraville NSW 2036  
Australia

Tel: 02 9381 8300  
Fax: 02 9666 8881  
Email: sales@havit.com.au  
Web: www.havit.com.au

## Warranty Terms & Conditions\*



[www.havit.com.au](http://www.havit.com.au)

