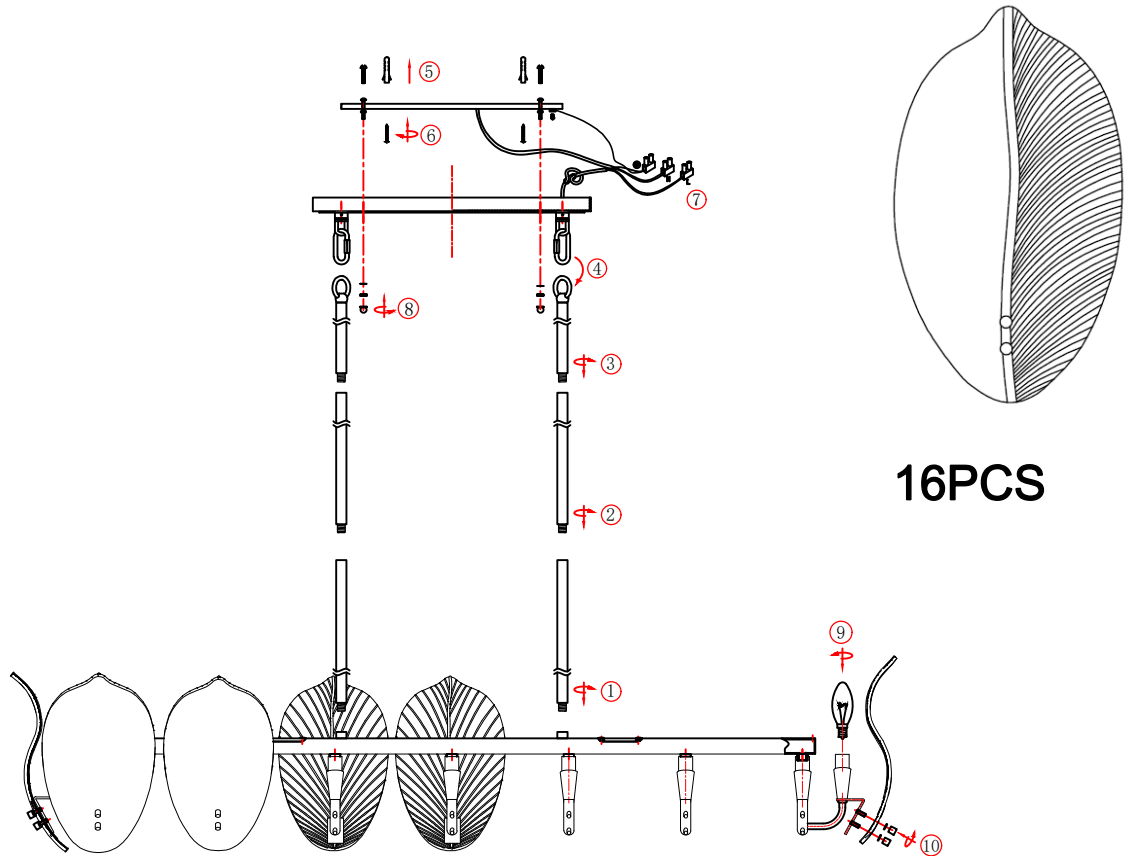





ITEM NO.:MONTE PE16



- Disclaimer:
-  Tools not included
 -  Shade ring attached on lamp holder
 -  Globe(s) not included

IMPORTANT

Must be installed by a qualified electrical contractor. Install in accordance with AS/NZS3000



Telbix.

240V ~ 50Hz E14 Max. 25W x 16

NOTE: GLOBE NOT INCLUDED