



NEOFLEX. PRO

Wattage 10W/M

CRI/Ra 90+

IP Rating IP67

Lumens 425lm / 485lm

Voltage 24v DC

NEOFLEX PRO

Performance:

Wattage 10W/M

CCT 3000K/4000K

CRI 90+

IP Rating IP67

Lumens 425lm / 485lm

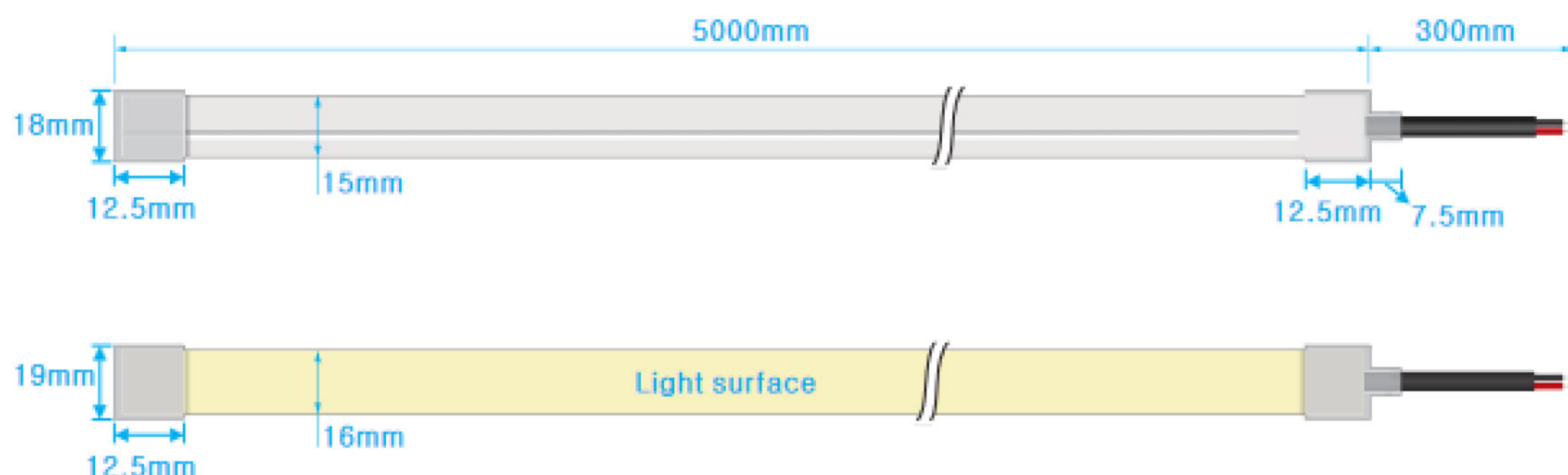
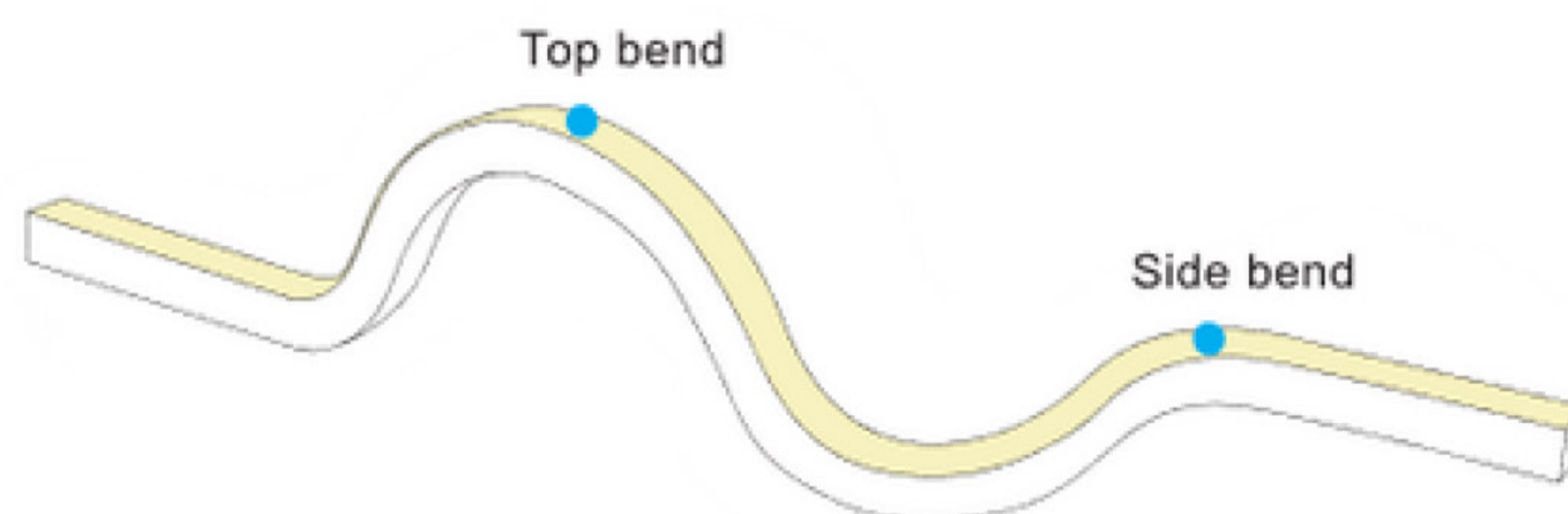
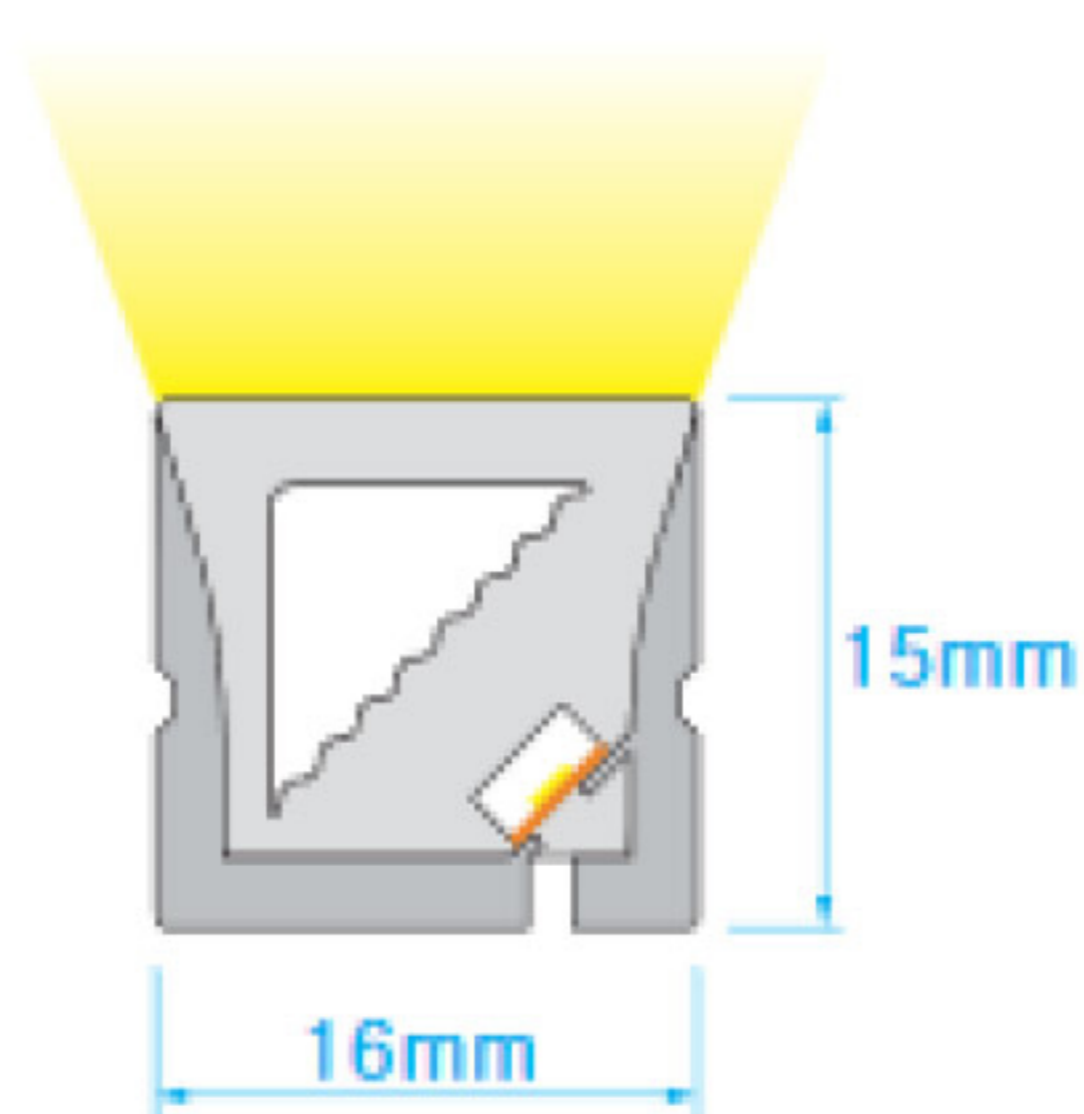
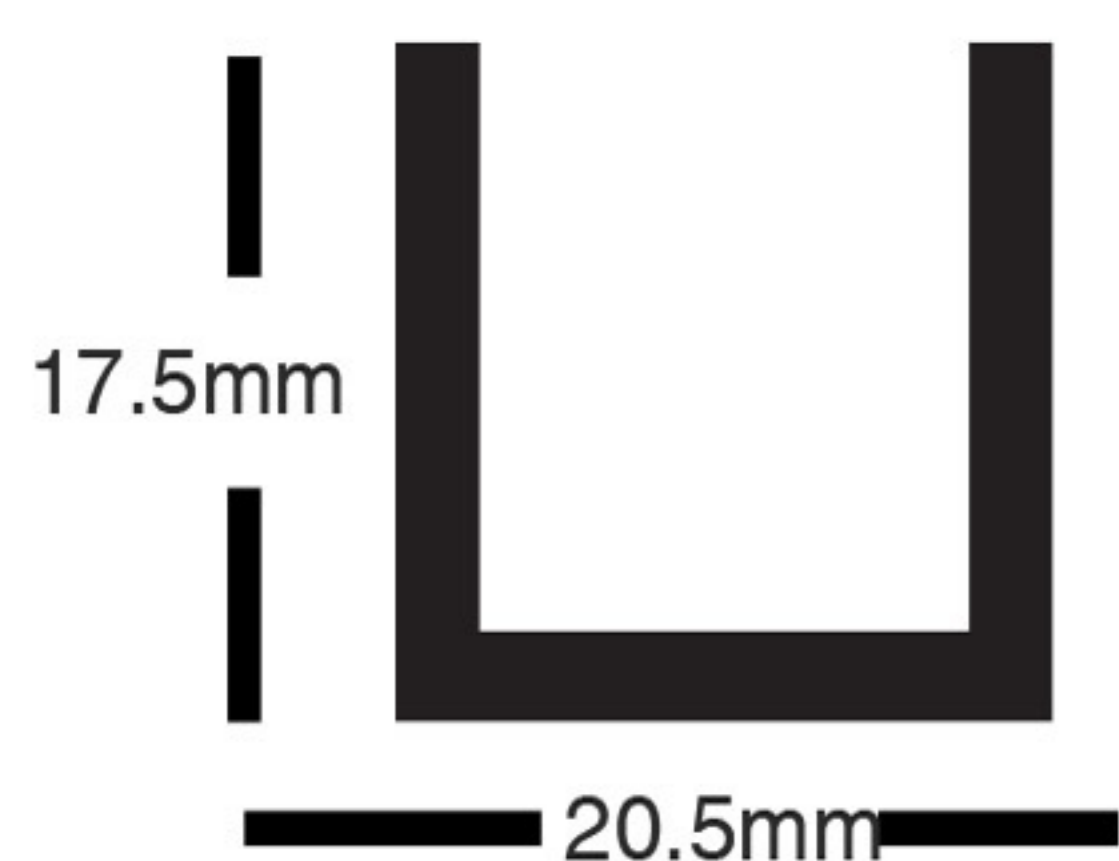
Lifetime 50,000 hours

Warranty 3 Year

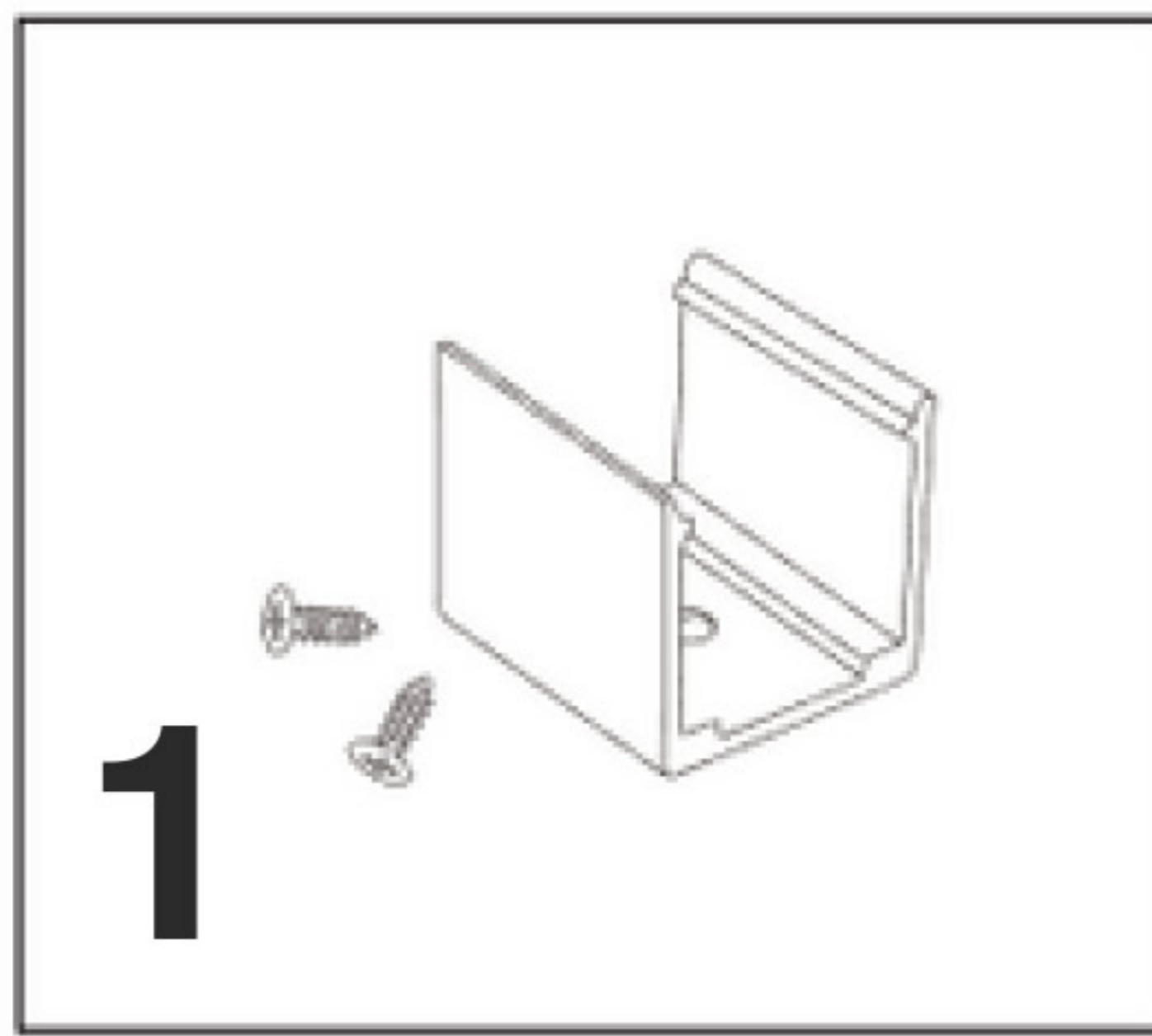
Introducing our remarkable neon superstar!

Say goodbye to cumbersome calculations and manual sketching in determining the need for top or side bend neon flex. We proudly present NEOFLEX PRO, an innovative solution designed to simplify this process. Featuring an impressive silicon housing that allows for dual bend within a single unit.

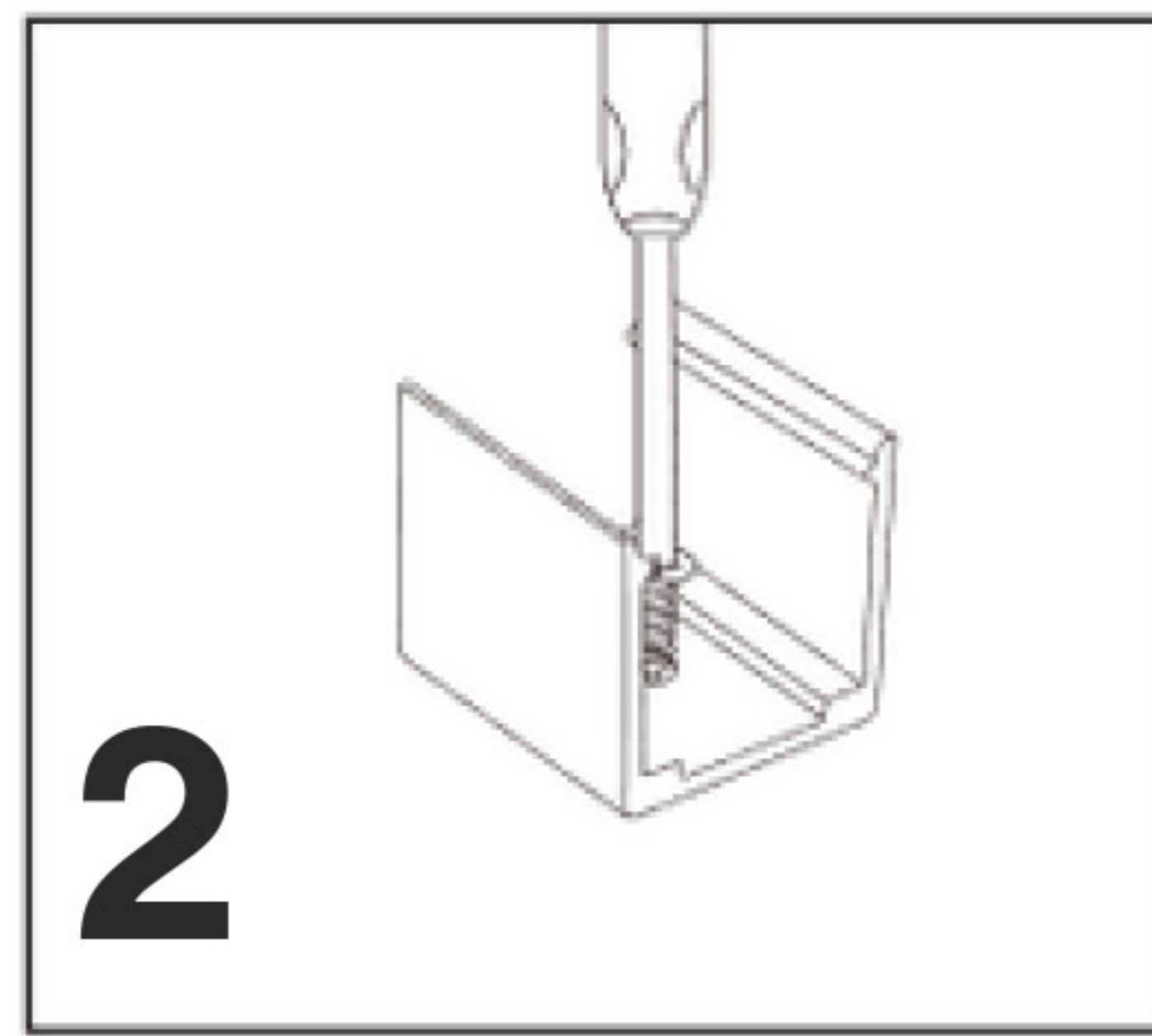
Mounting Profile:



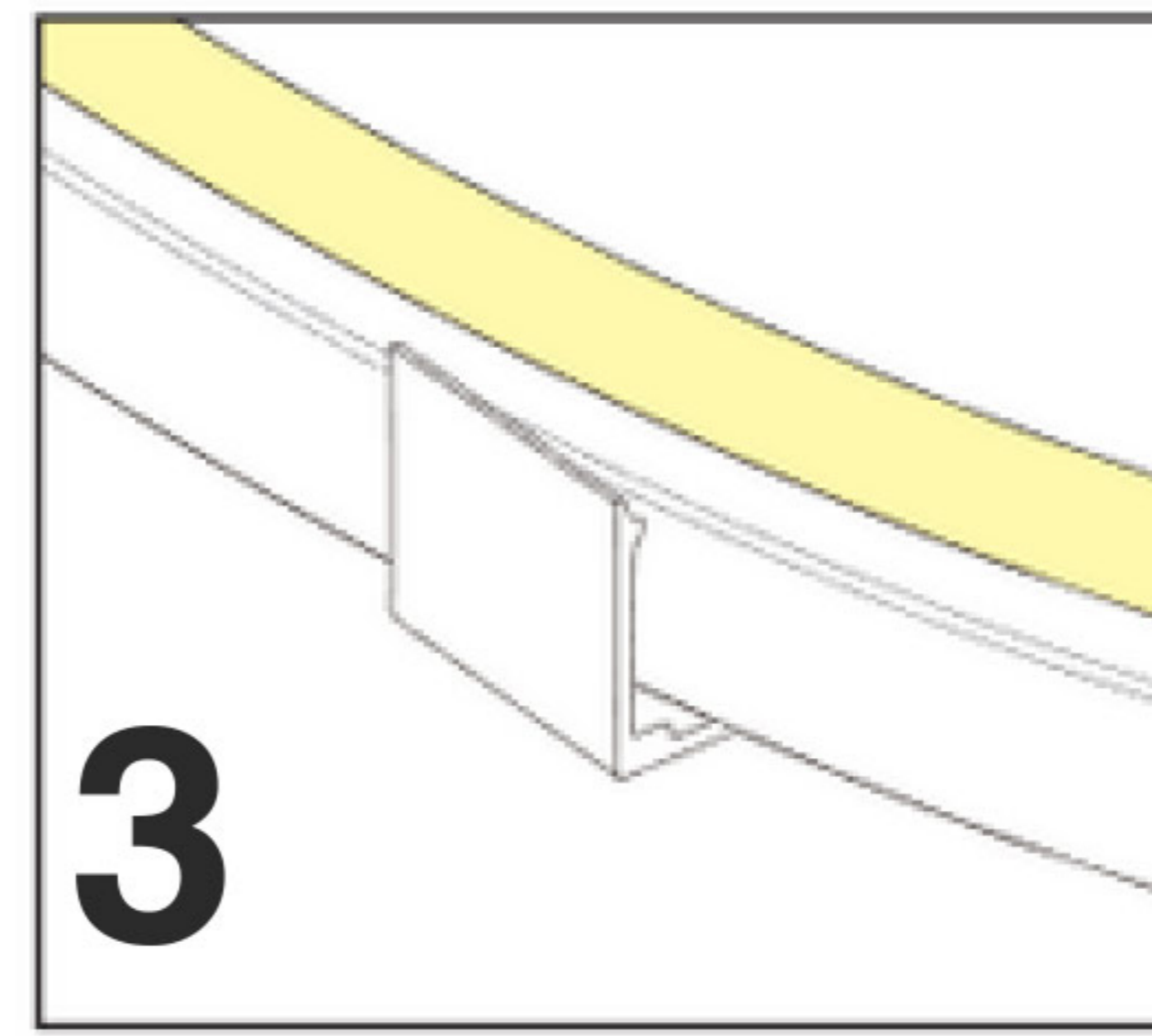
Installation:



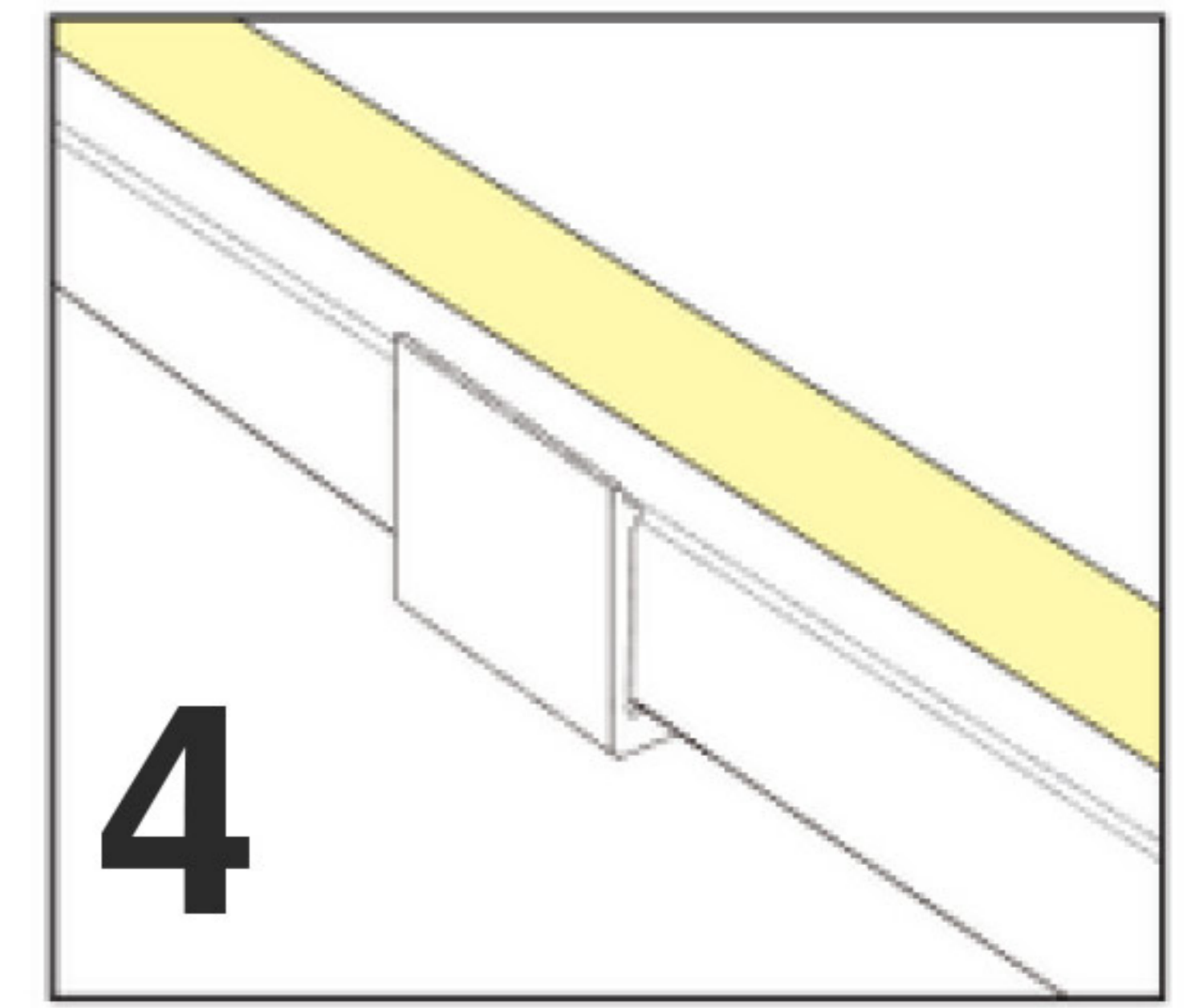
1 Prepare the screws and mounting clips



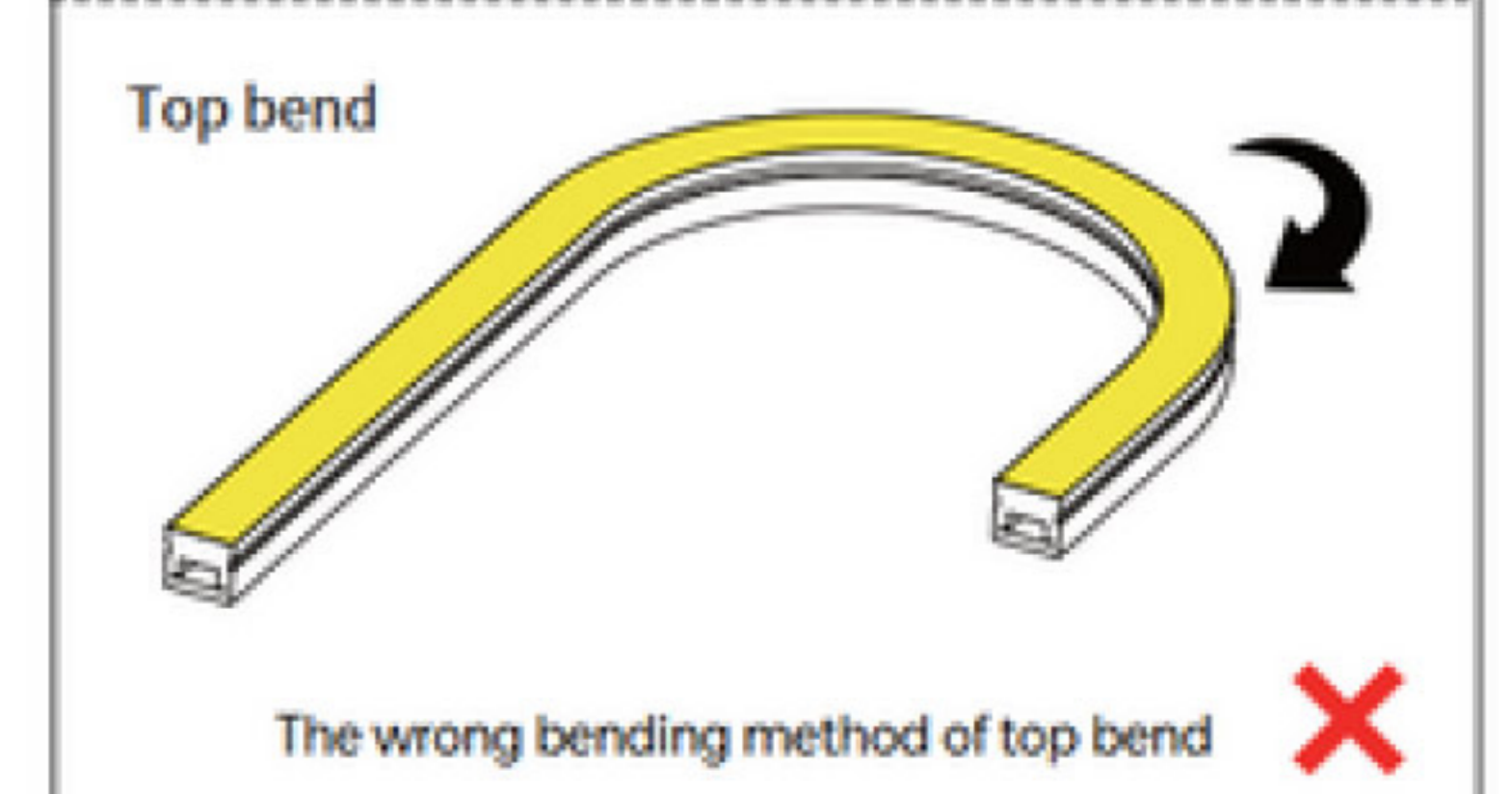
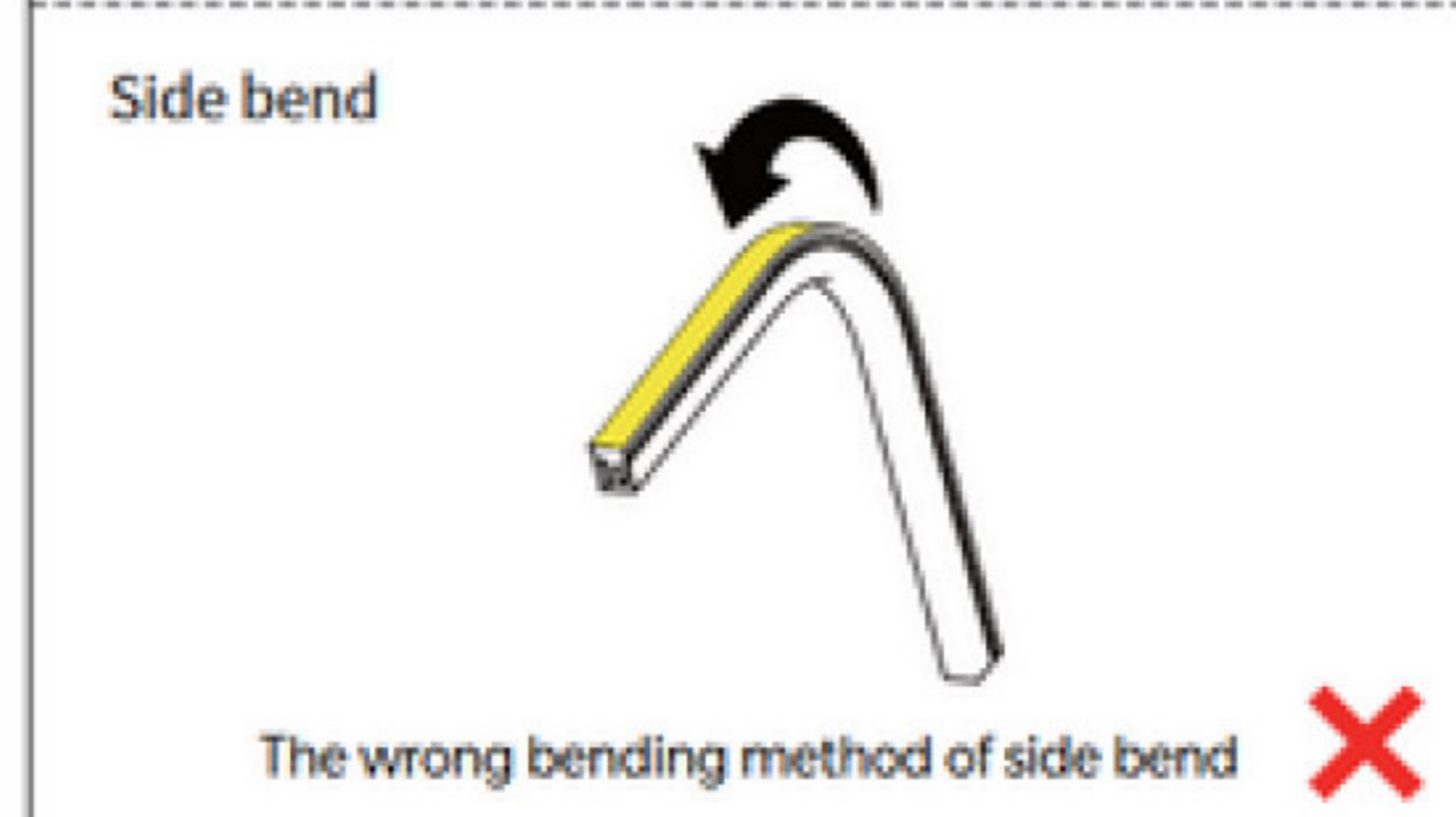
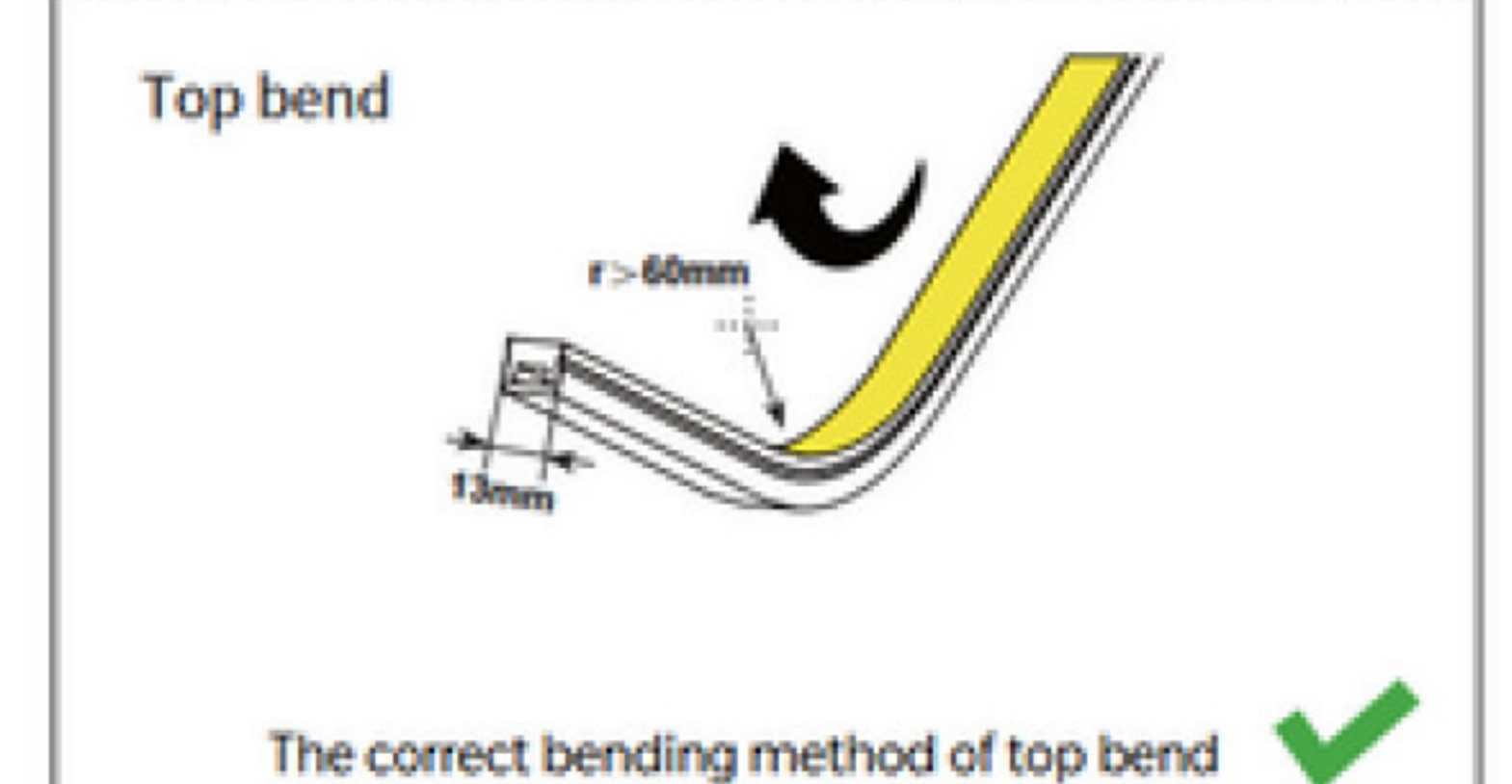
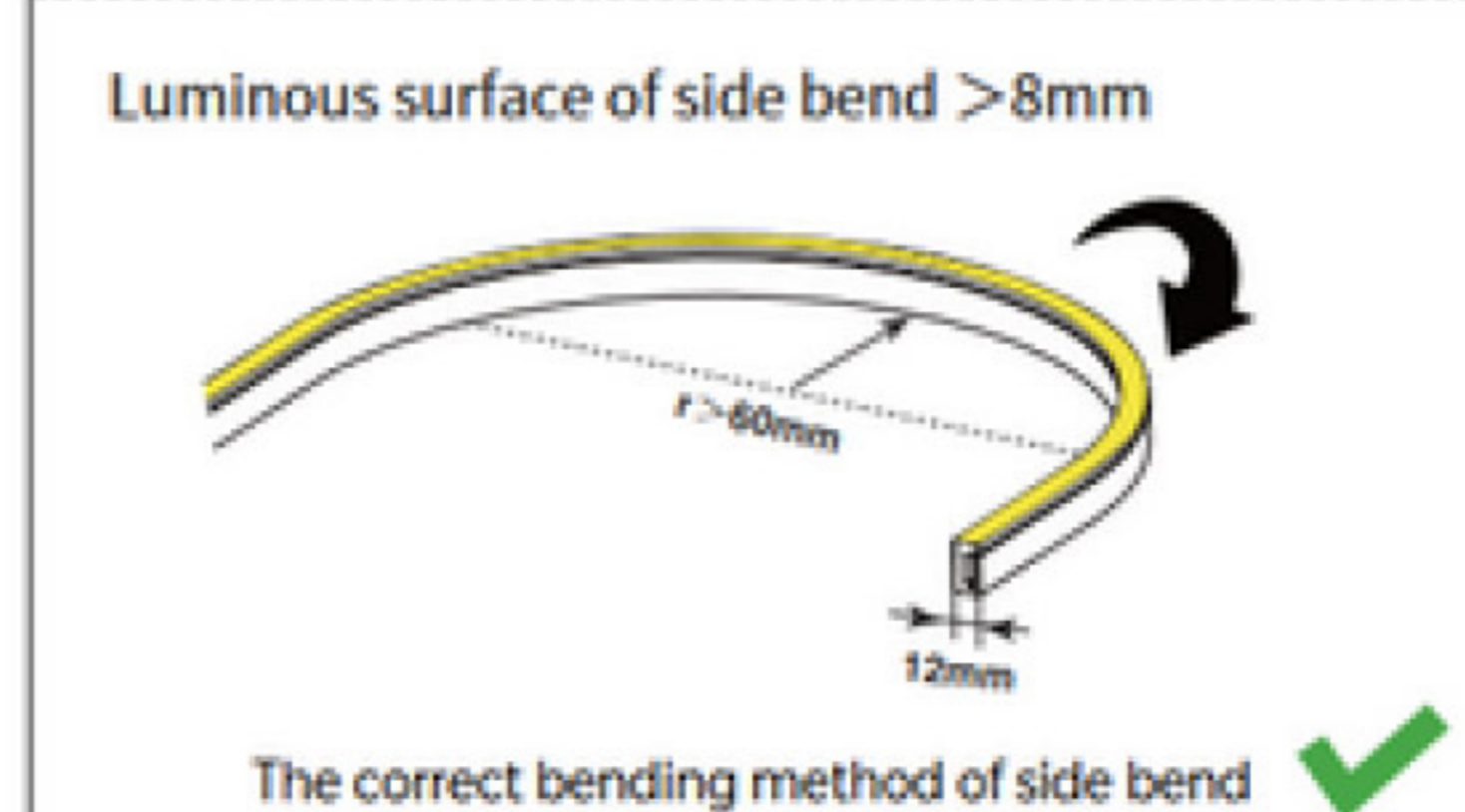
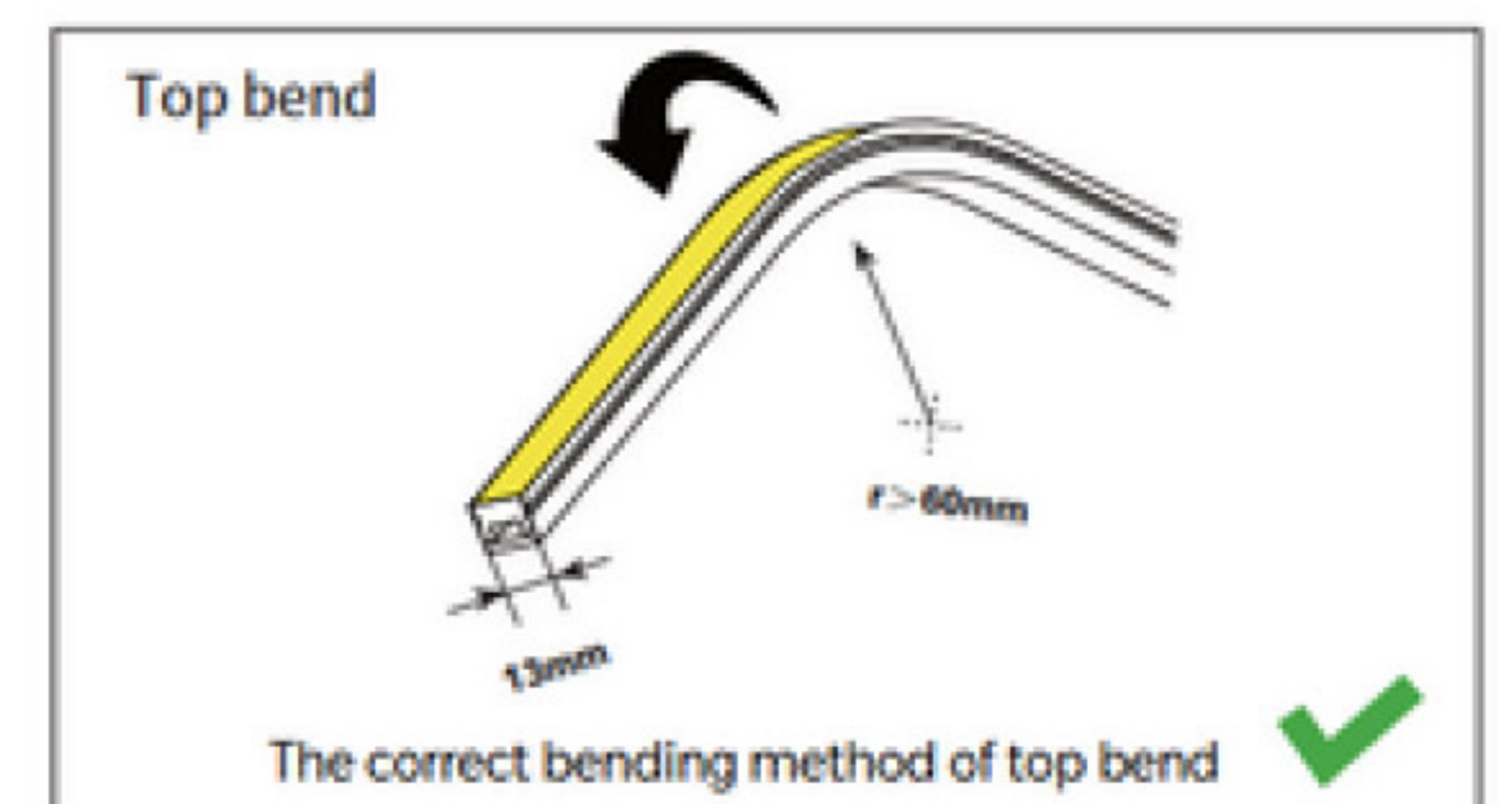
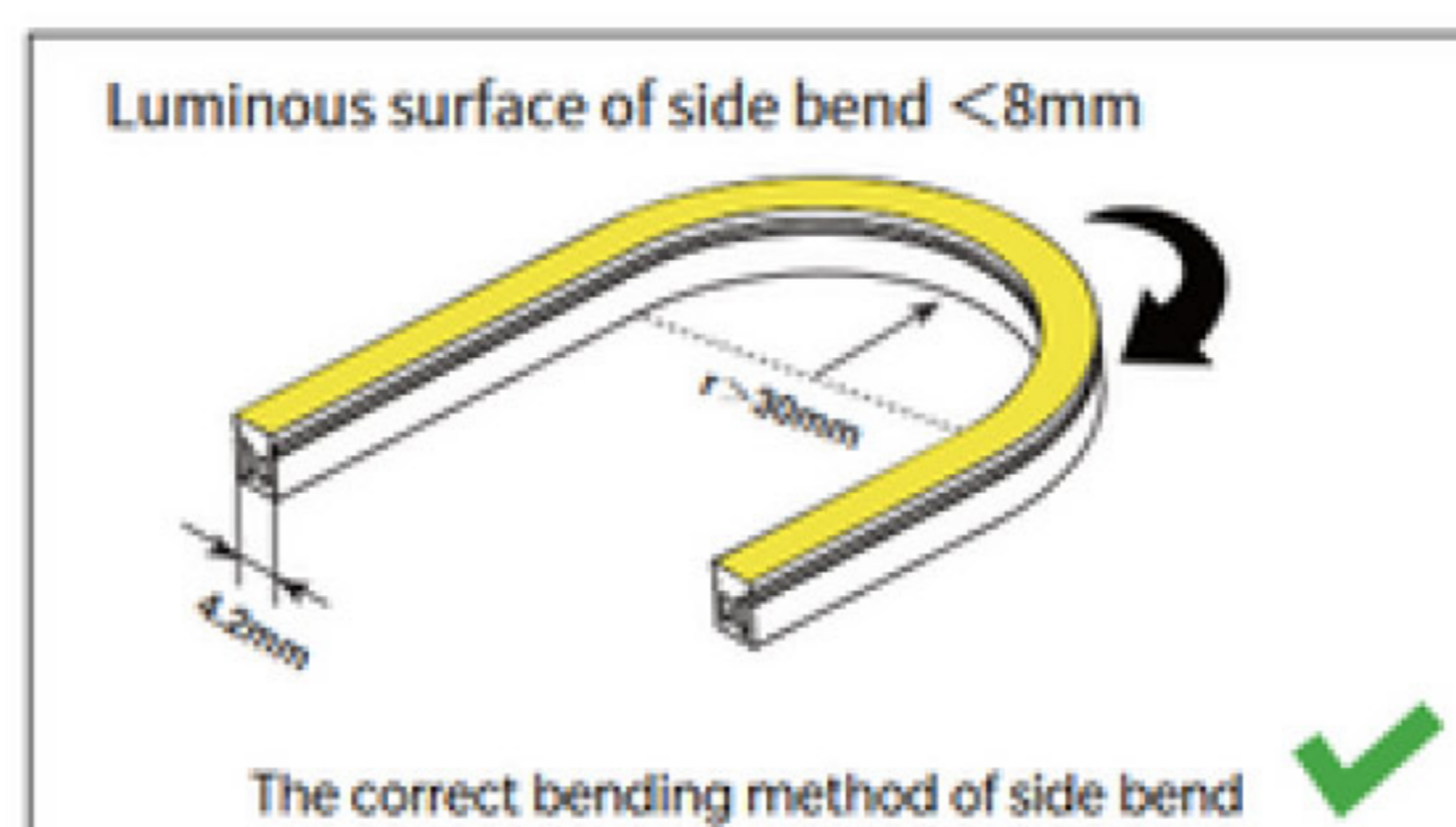
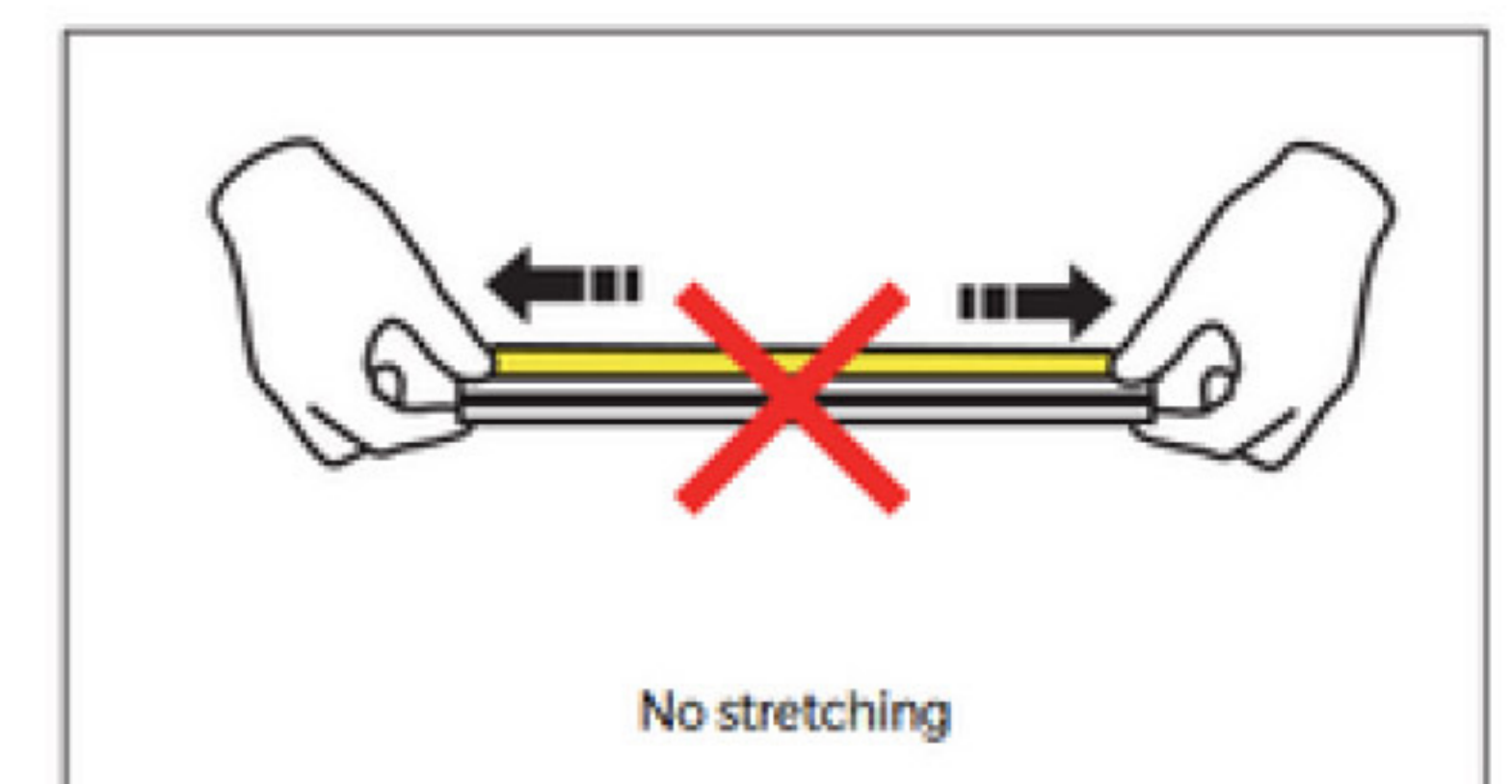
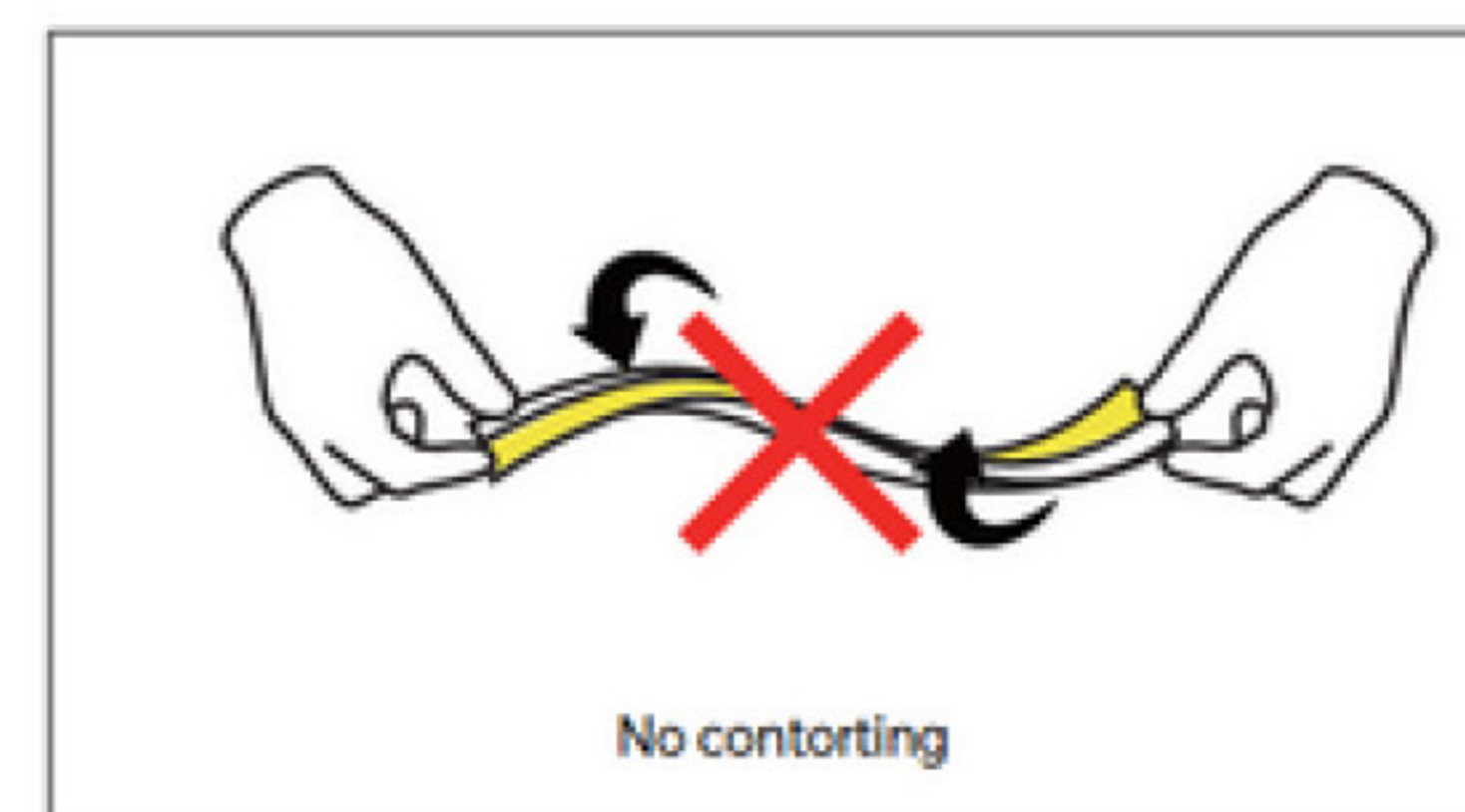
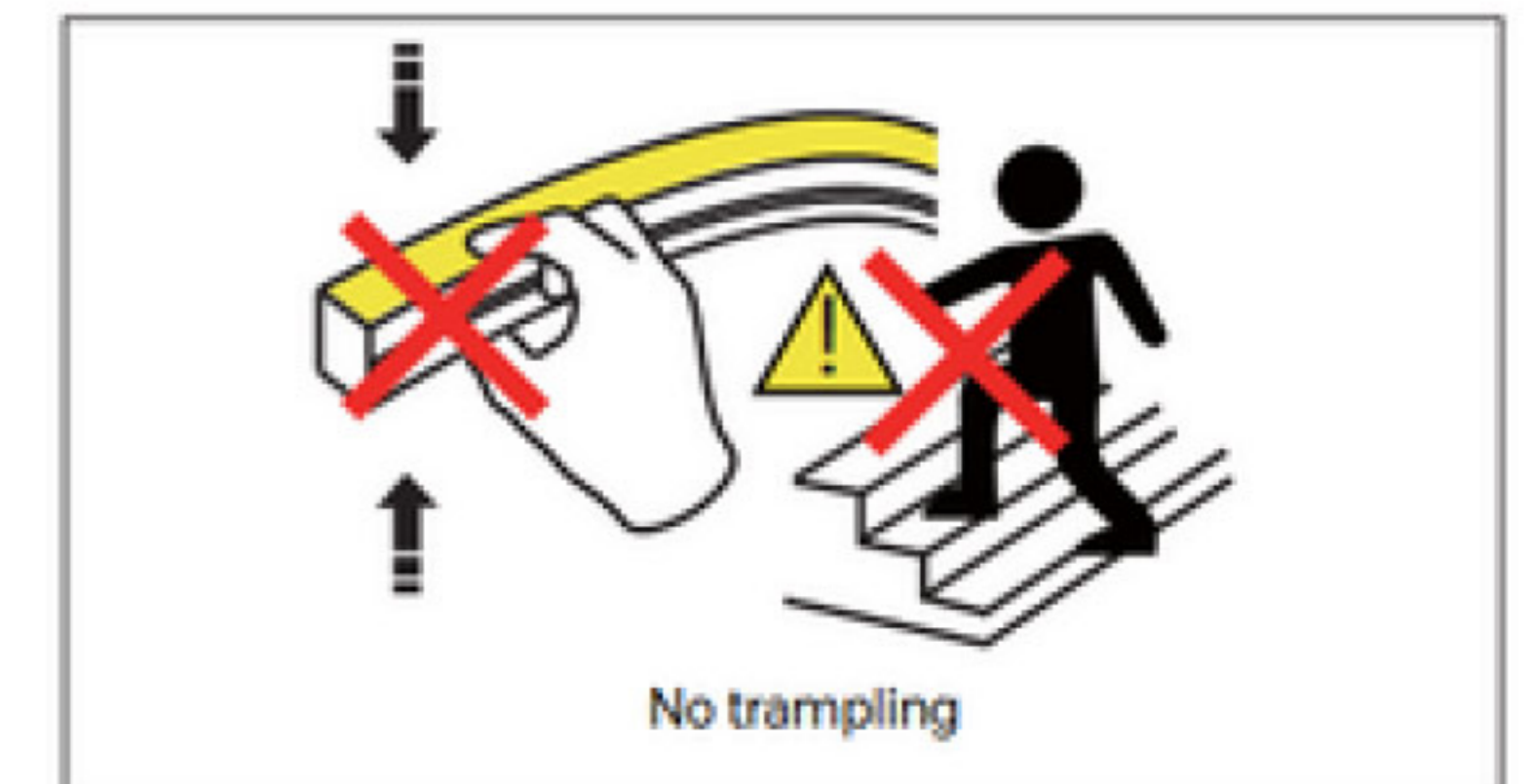
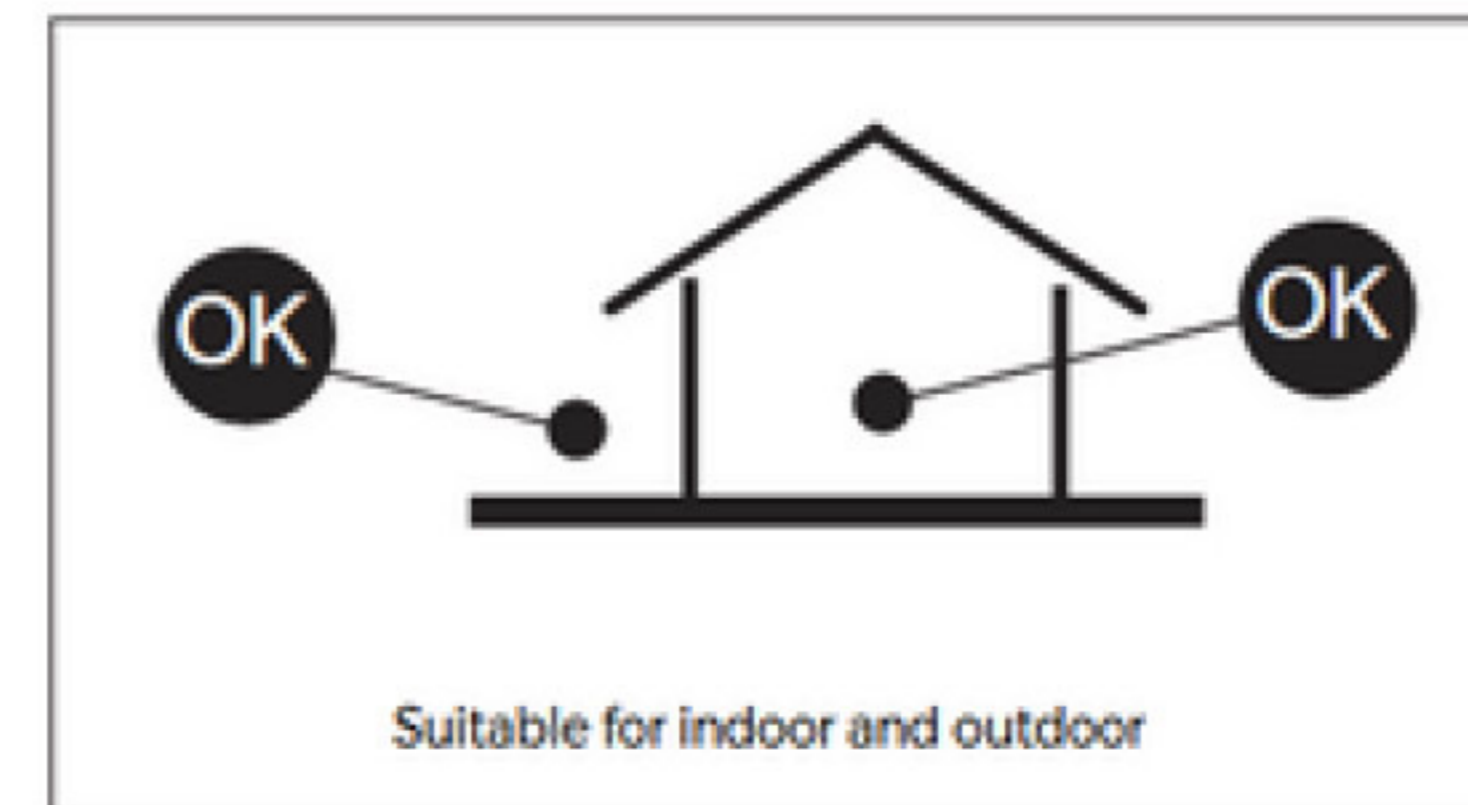
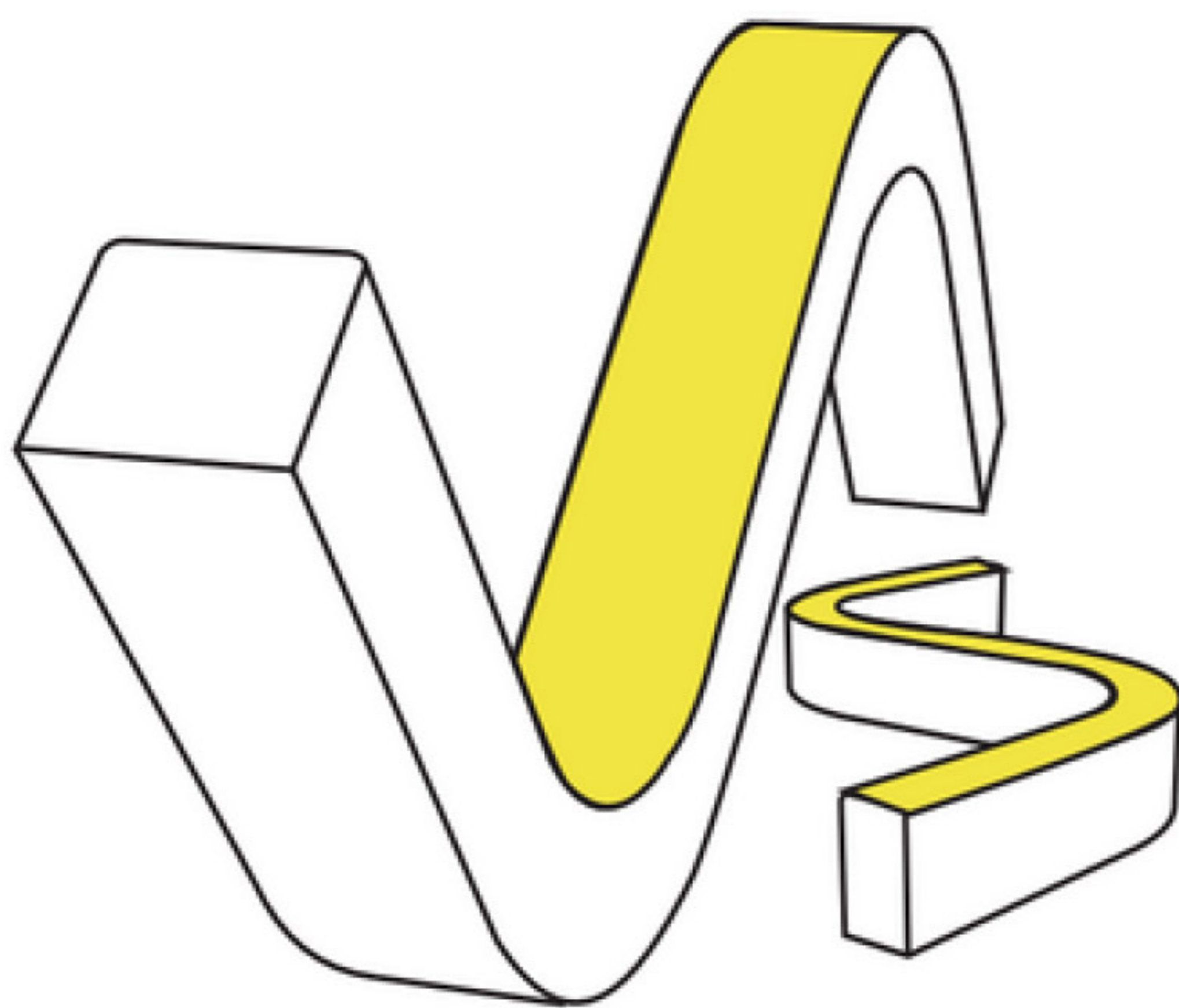
2 Adjust the fixed clips to the appropriate place, use a screwdriver to fix the screw.



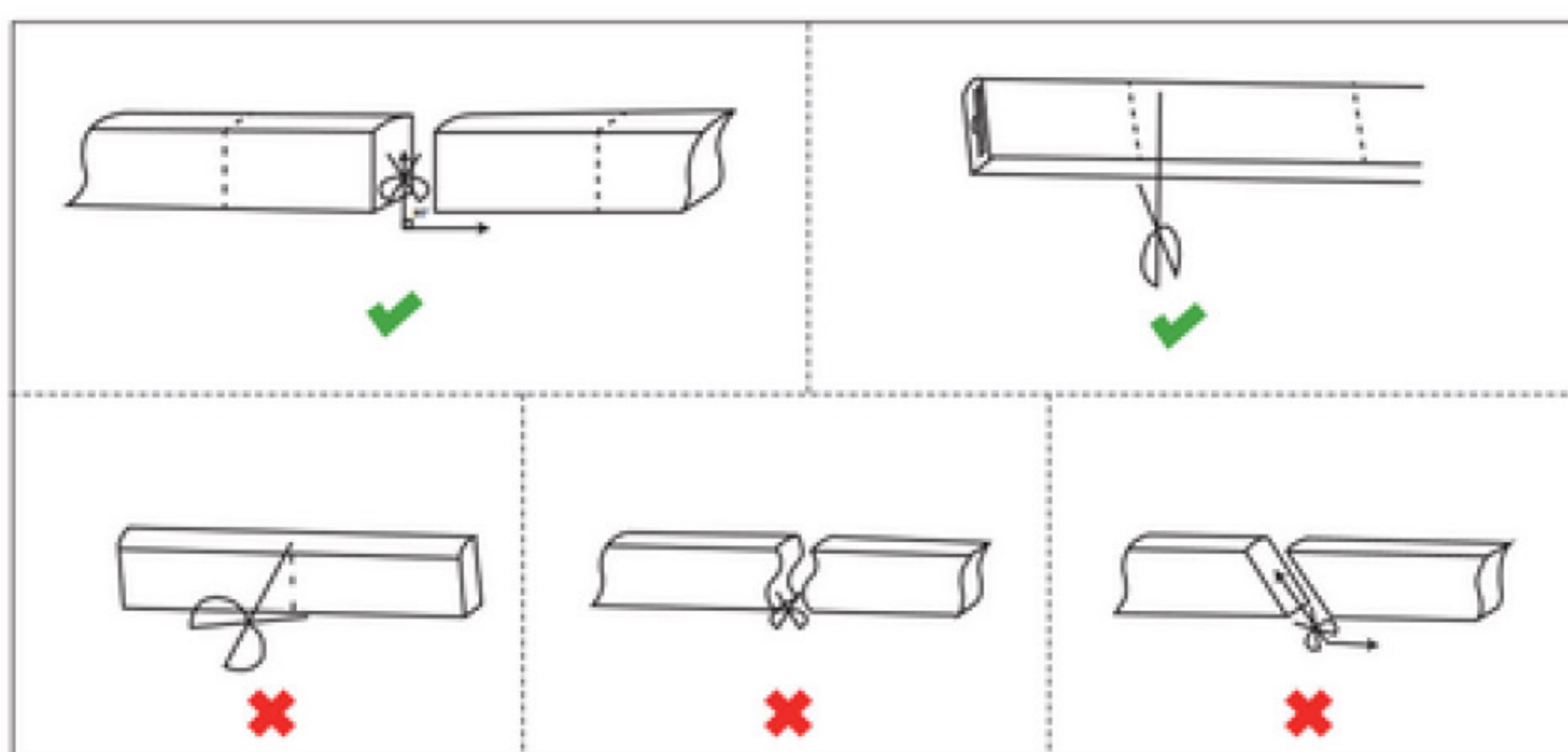
3 Put the light emitting surface upwards, then insert the LED strip into the fixed clip.



4 Fix NEON strip completely into the fixed clip.



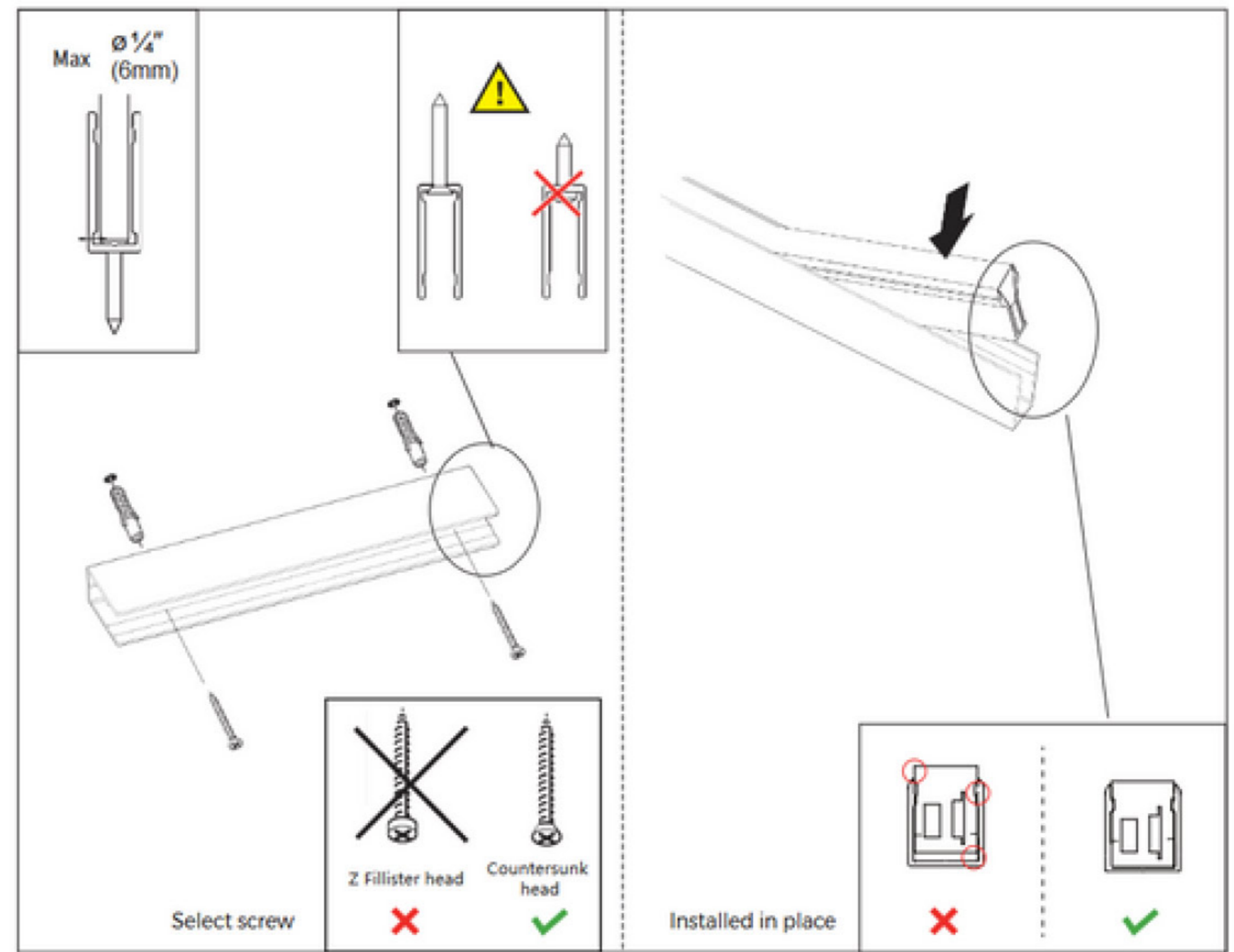
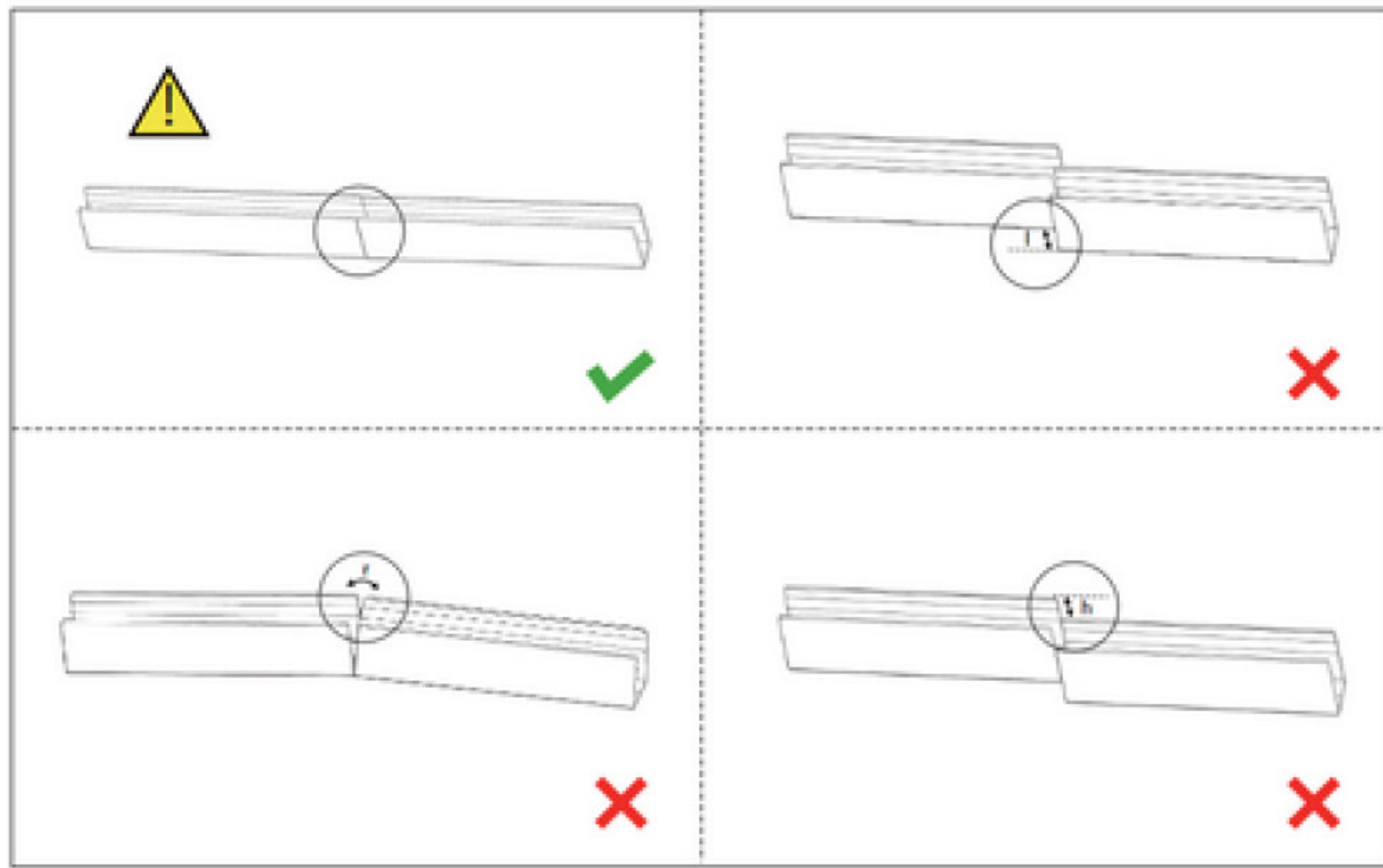
Cutting to size:



Mounting Profile Installation:

<p>1. When installing the LED strip, install it from both ends at the same time, installation from one direction is prohibited.</p>	<p>⚠ If the length of LED strip is over 2m, it is recommended to install by two persons.</p>
<p>2. Use tool to disassemble carefully, and do not pull the LED strip directly.</p>	<p>⚠ If the length of LED strip is over 2m, it is recommended to disassemble by two persons.</p>

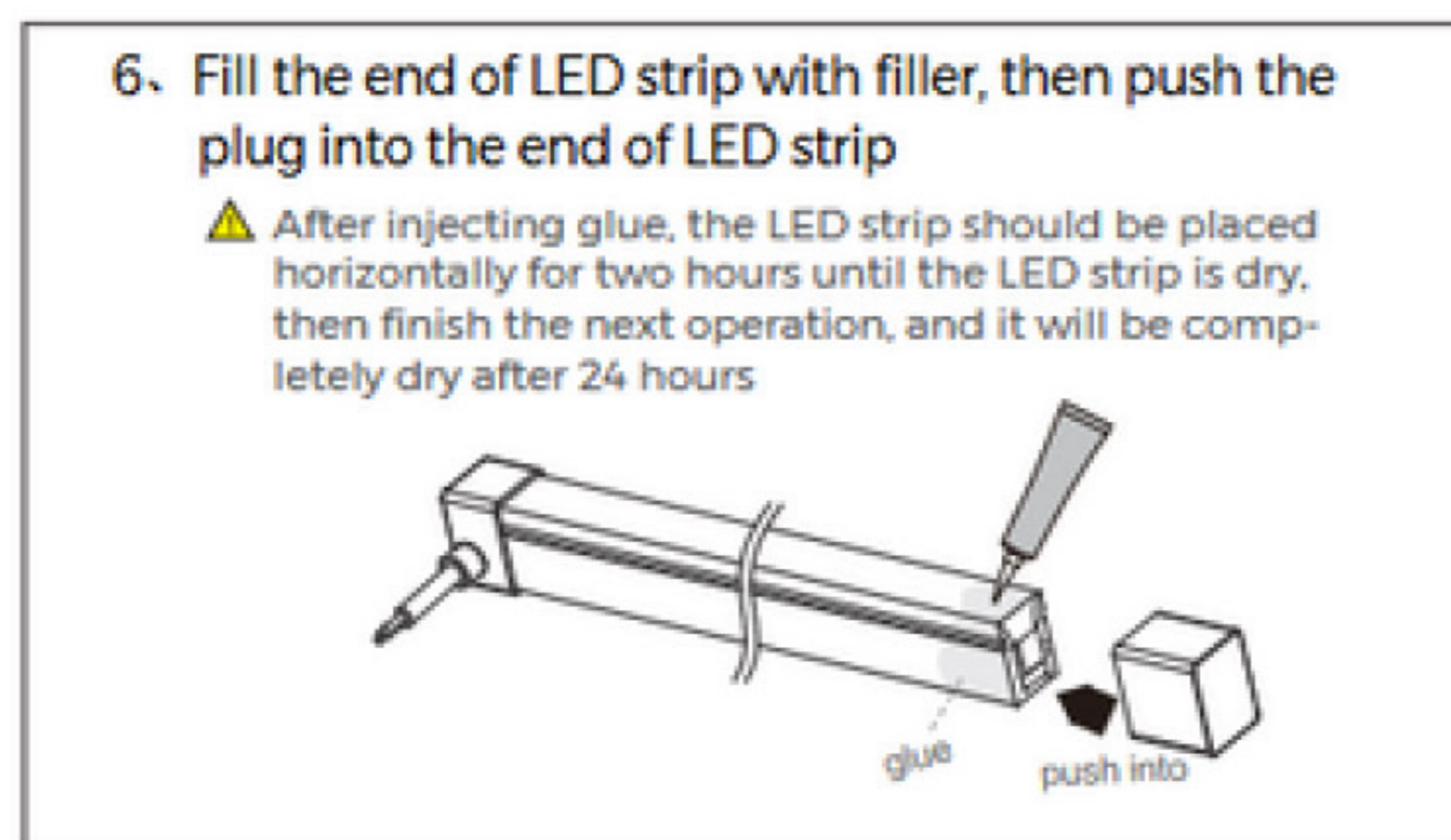
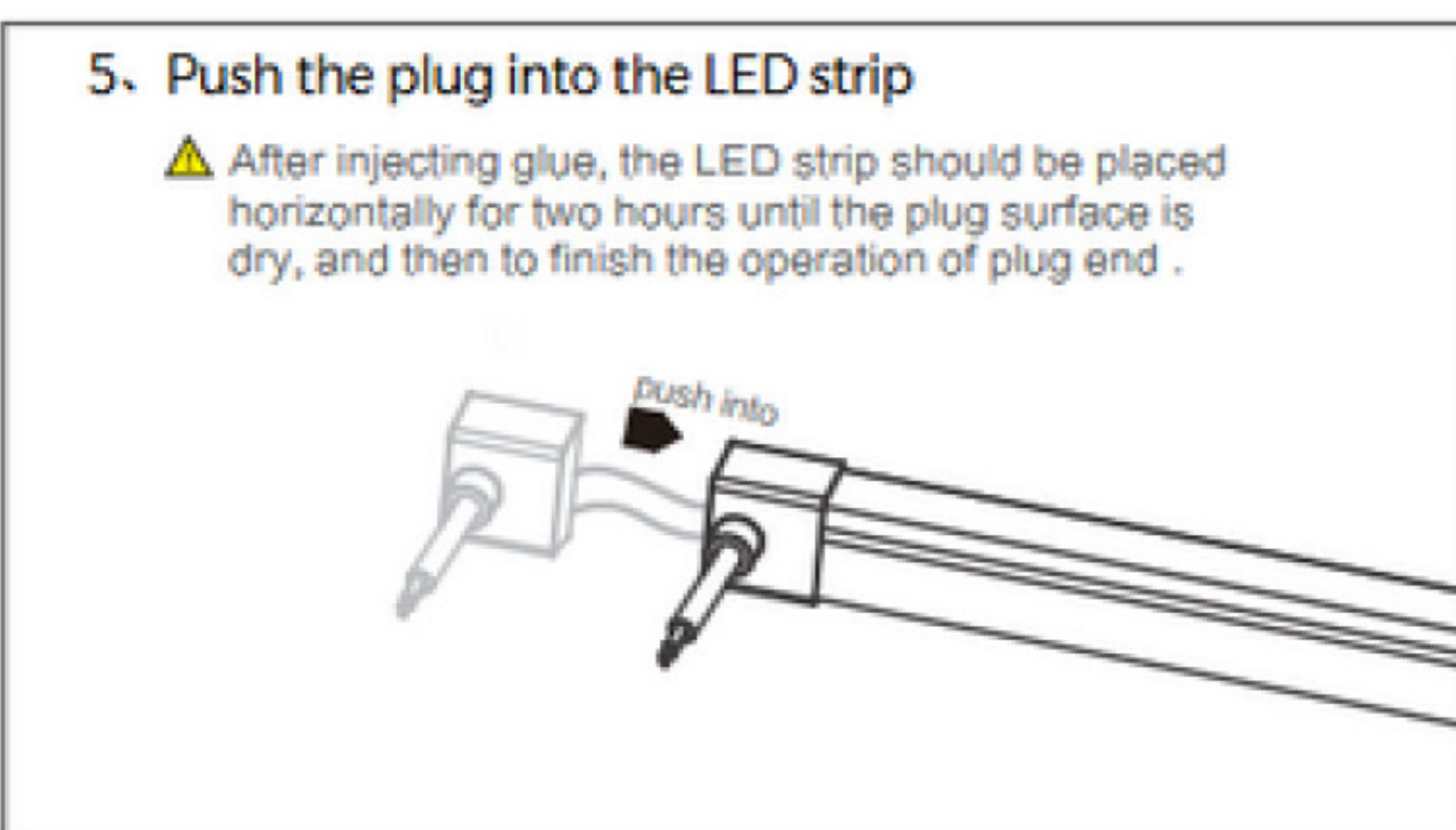
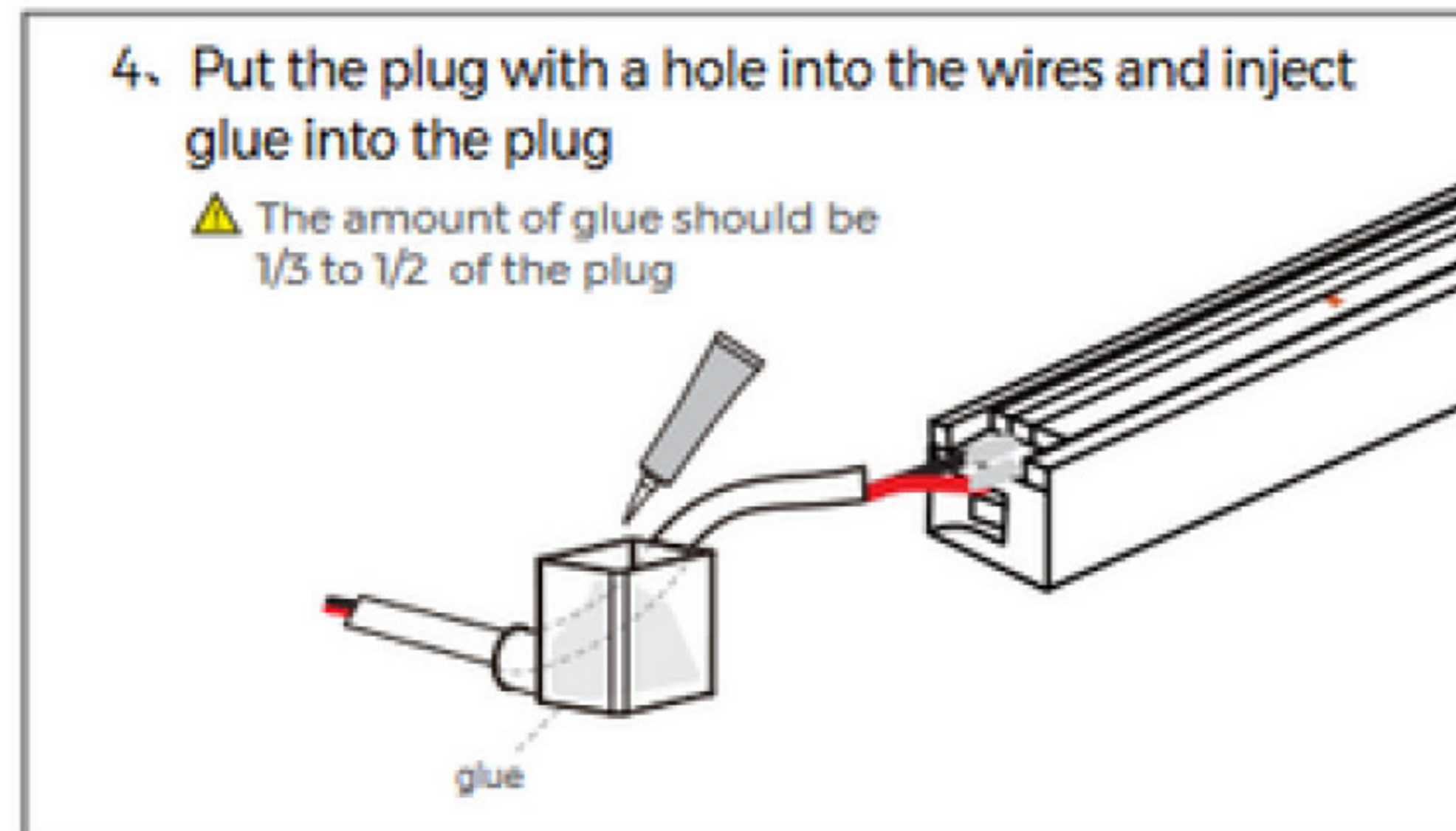
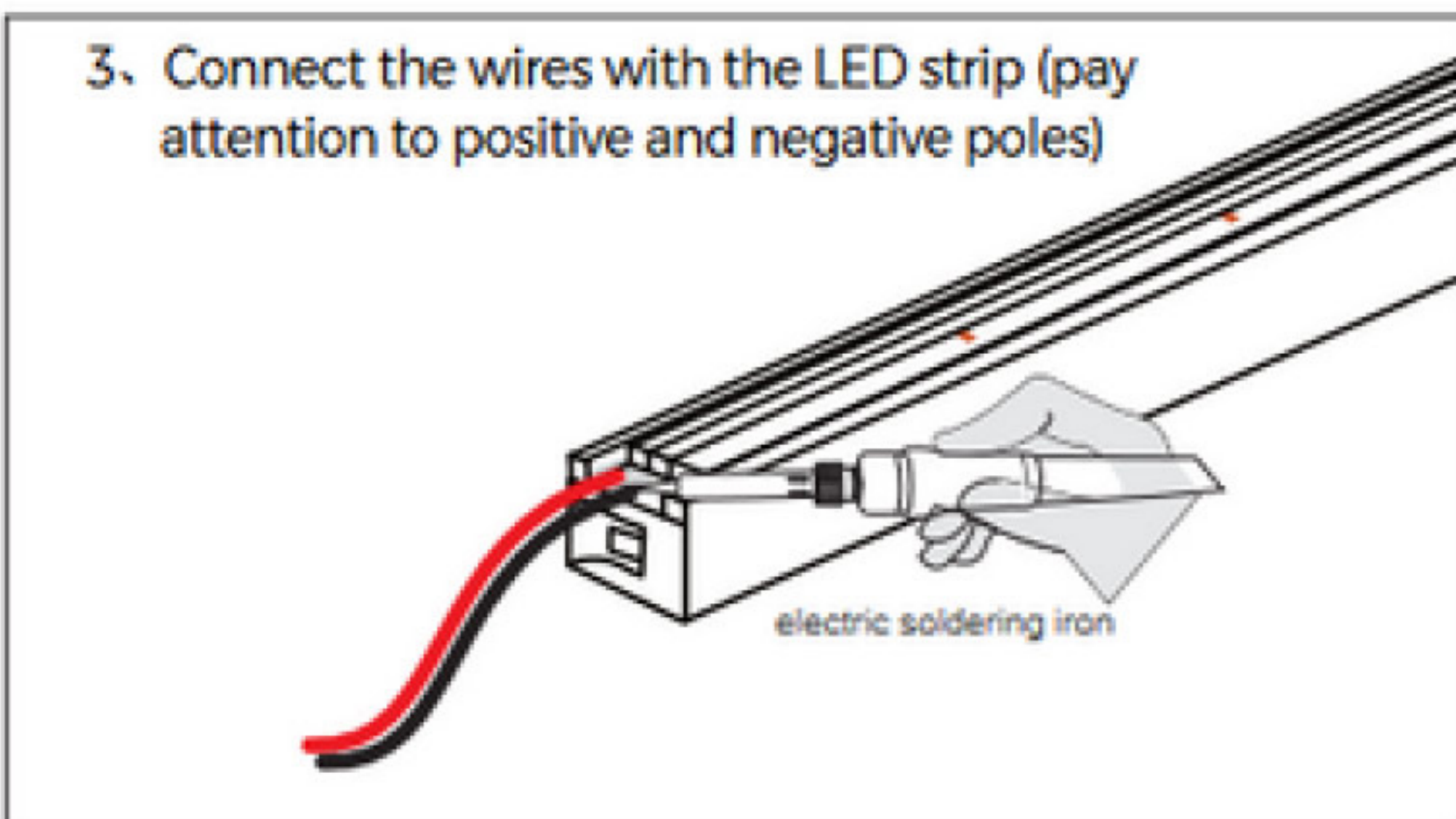
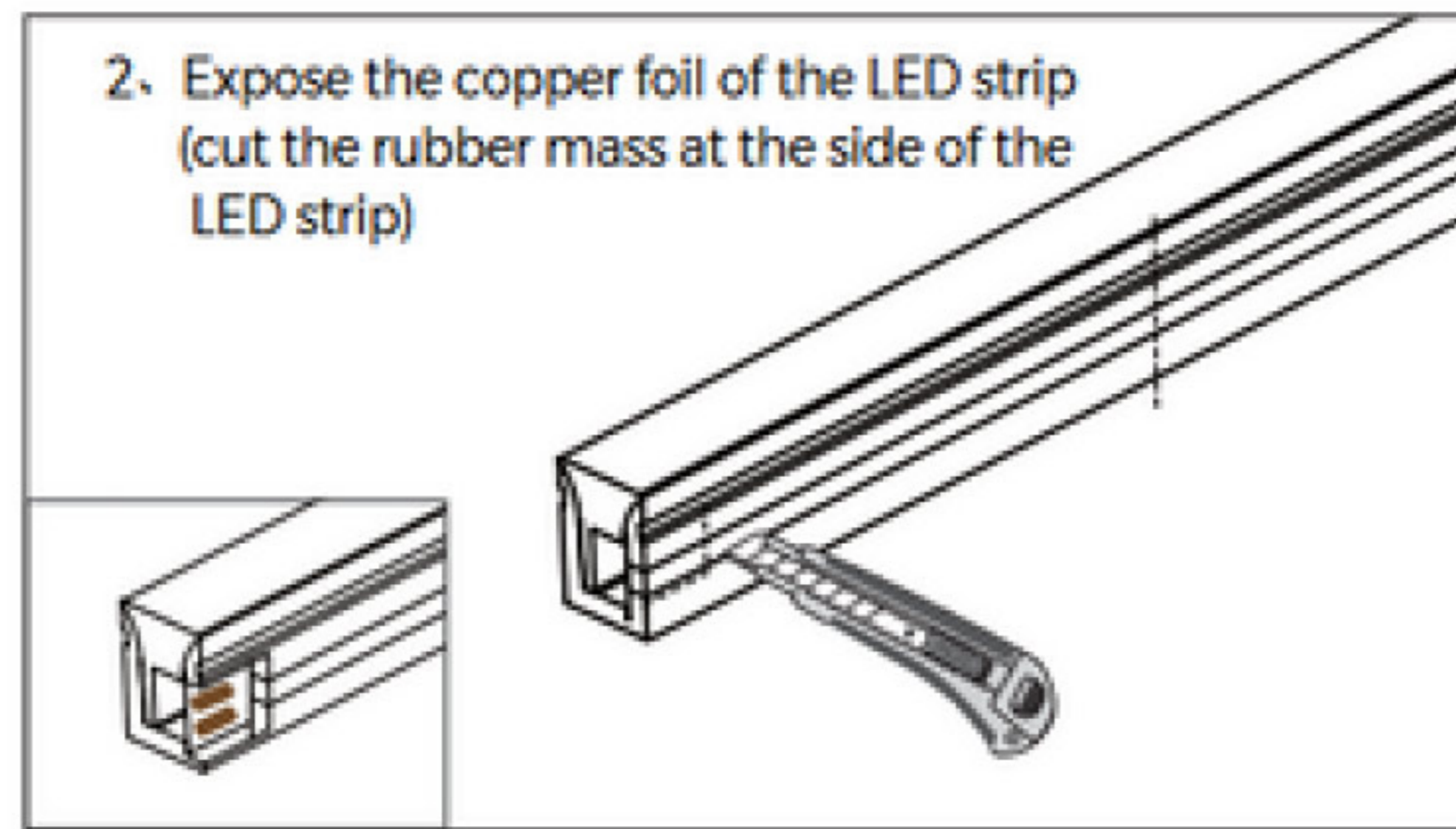
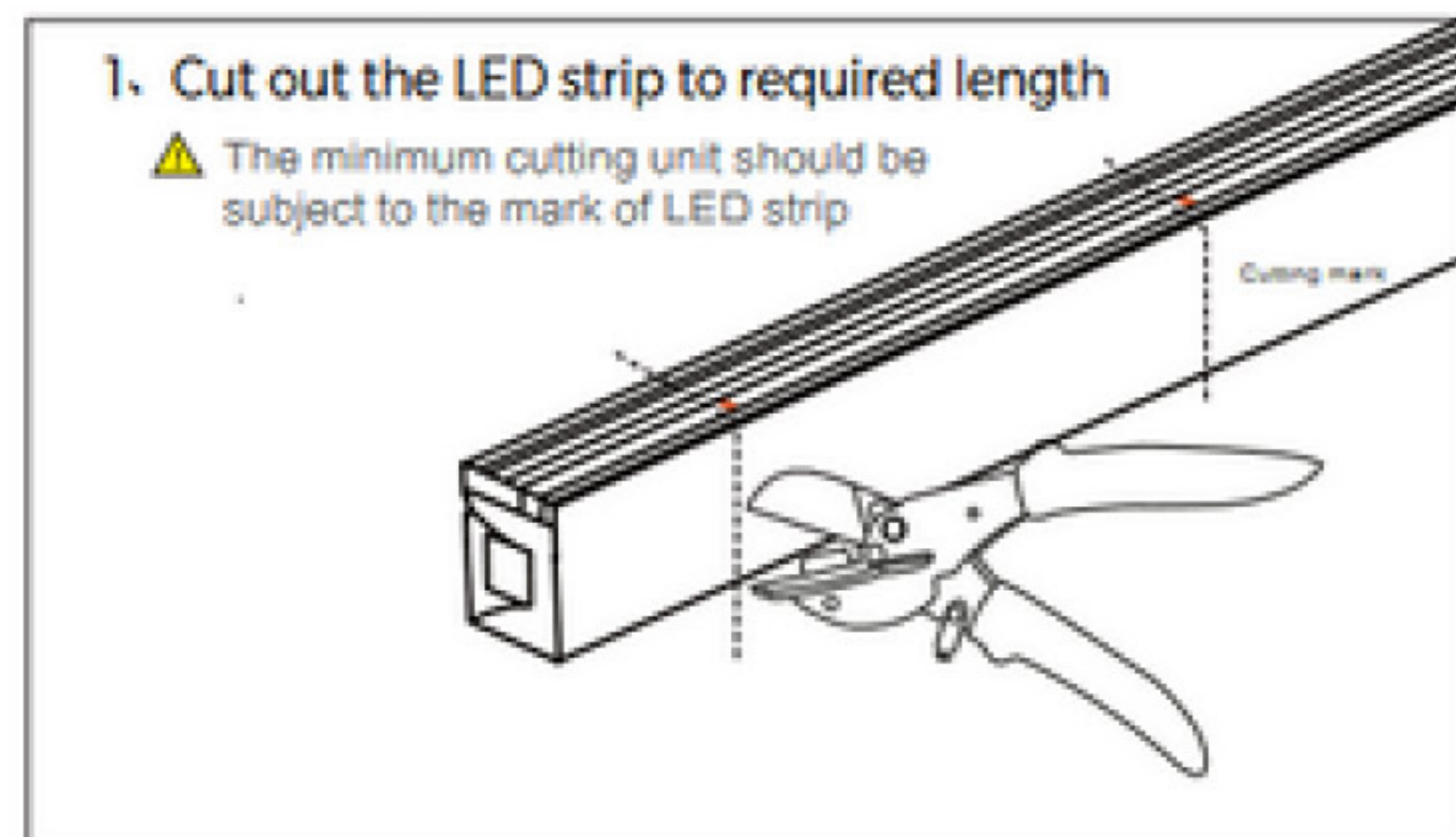
Mounting Profile Installation:



Ensure neon flex is completely housed in profile for the best look and to prevent any dropping over time

Soldering instructions:

- all of your lengths should be supplied in complete lengths with tails. Leave the soldering to us!



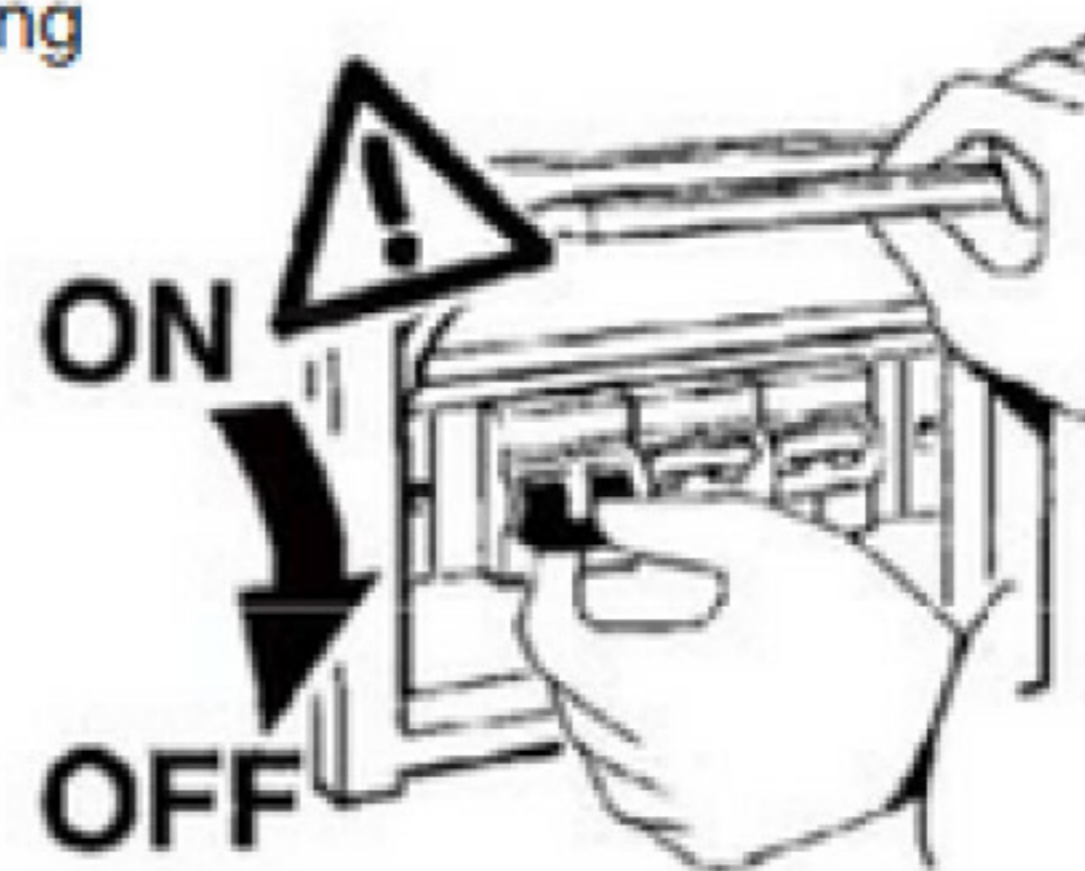
Driver:

Ensure driver is 24V, and IP rated if installing outdoors

Dimming options:

- Non Dimmable
- Phase Dimmable
- DALI
- 1-10V
- Casambi

Turn off the power before wiring



Non-dimming connection mode

