



# NEOFLEX. 10

**Wattage** 10W/M

**CRI/Ra** 90+

**IP Rating** IP67

**Lumens** 785lm/M

**Voltage** 24v DC



**DAVOLUCE  
LIGHTING**  
EXPERTS IN LIGHTING

# 10.NEON FLEX. 10.INN

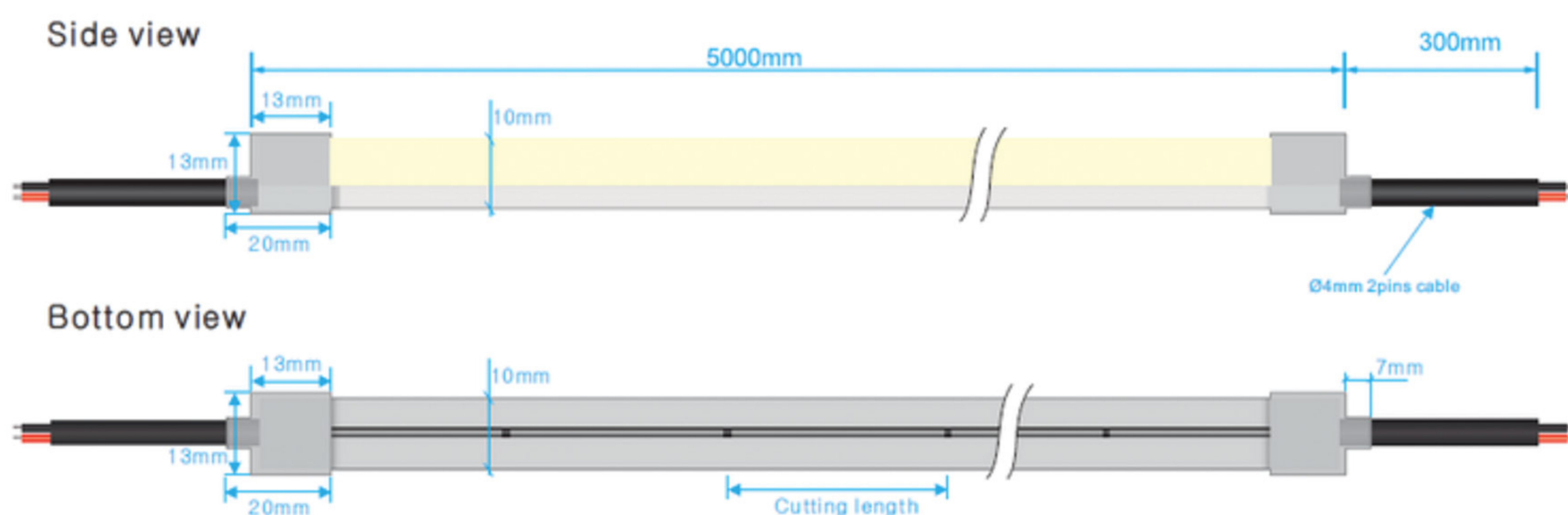
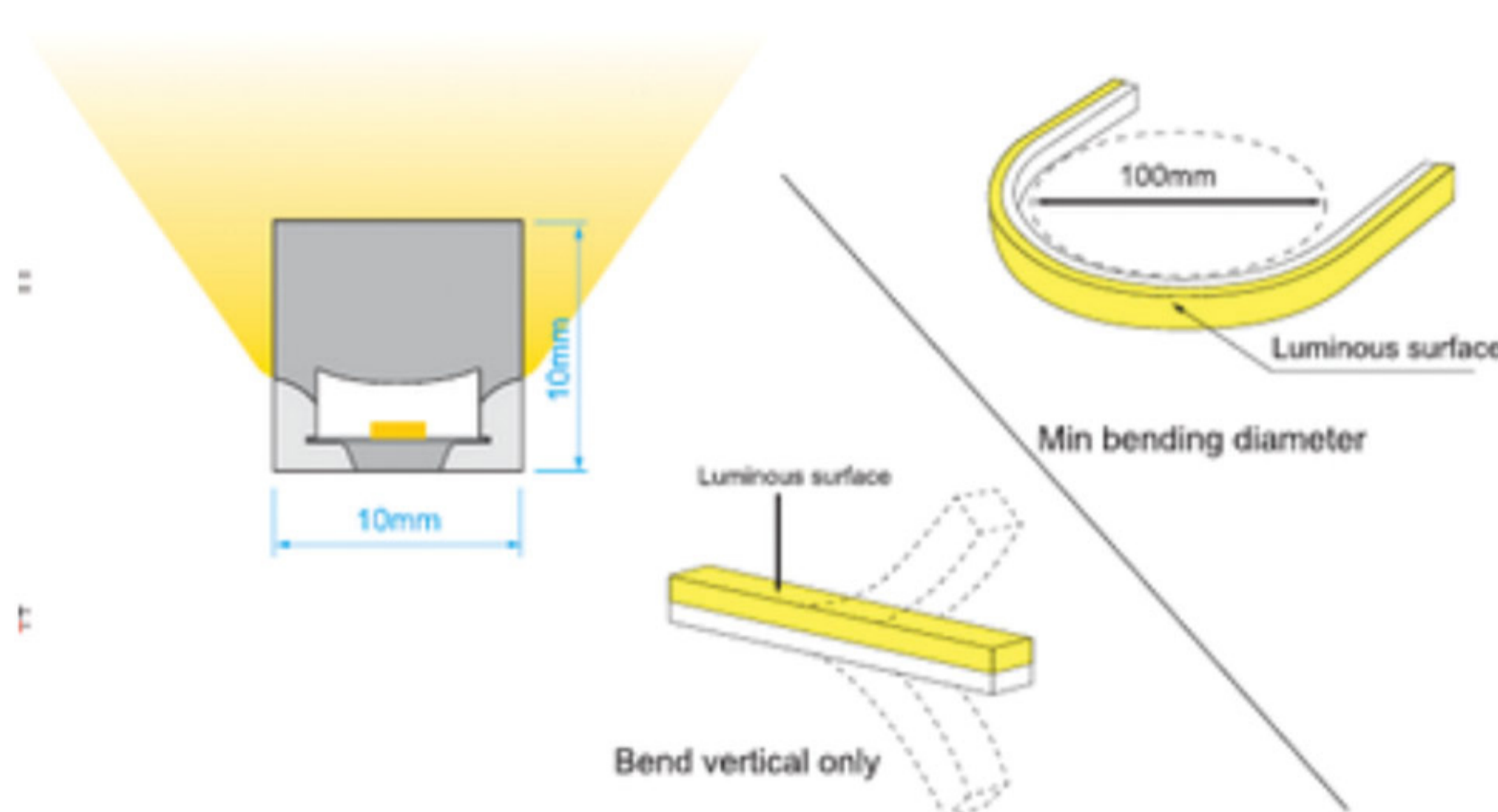
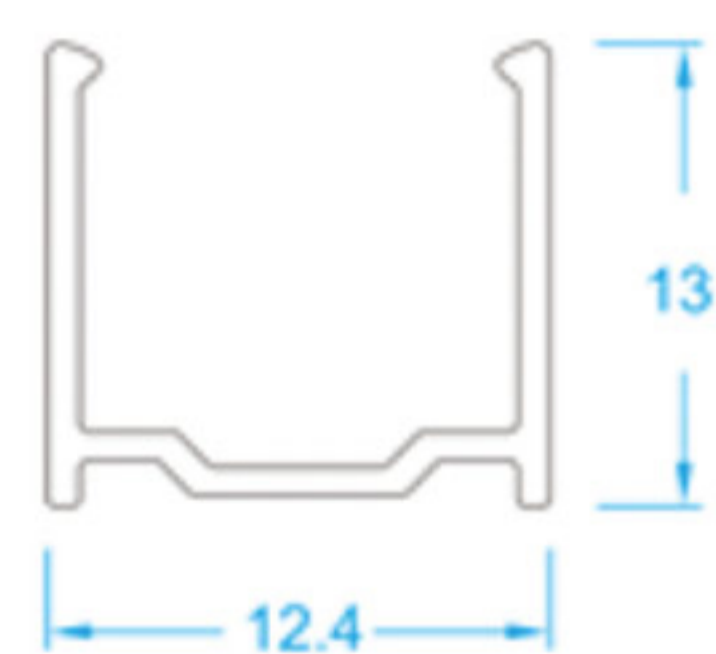
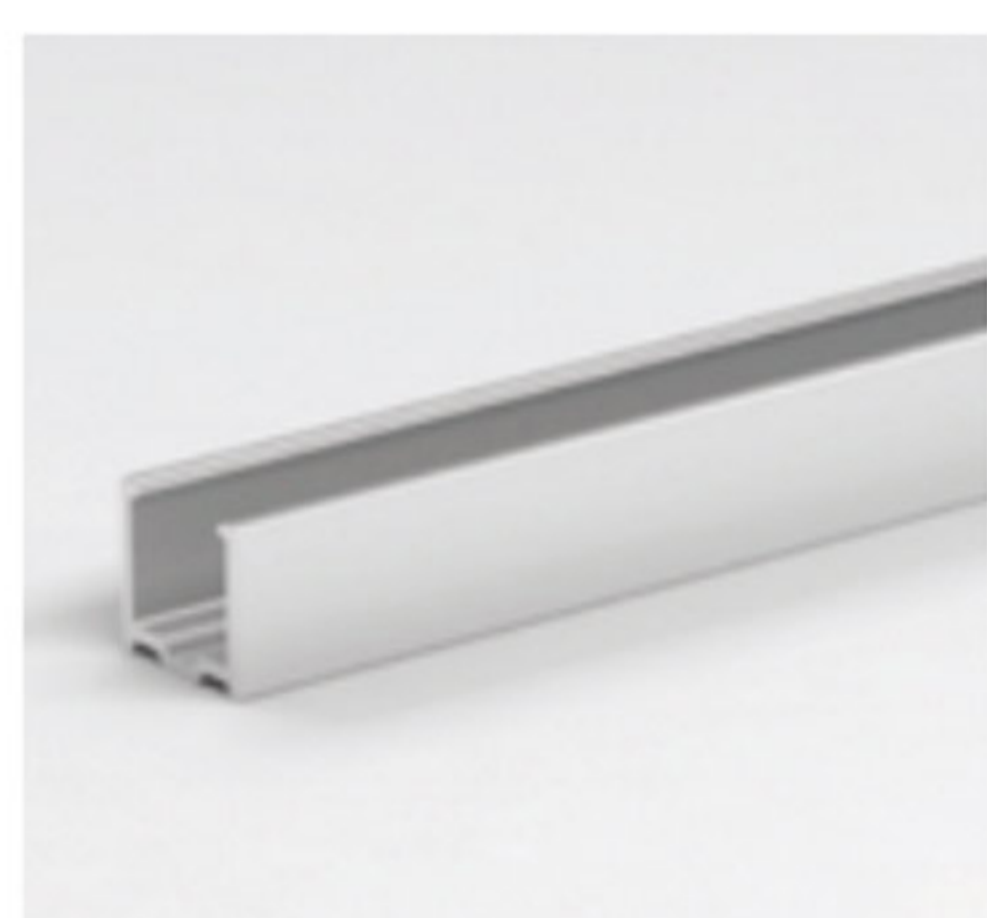
## Performance:

**Wattage** 10W/M  
**CCT** 3000K / 4000K  
**CRI** 90+  
**IP Rating** IP67  
**Lumens** 785lm/M  
**Lifetime** 50,000 hours  
**Warranty** 3 Year

## Series:

**Top bend**  
**Side bend**

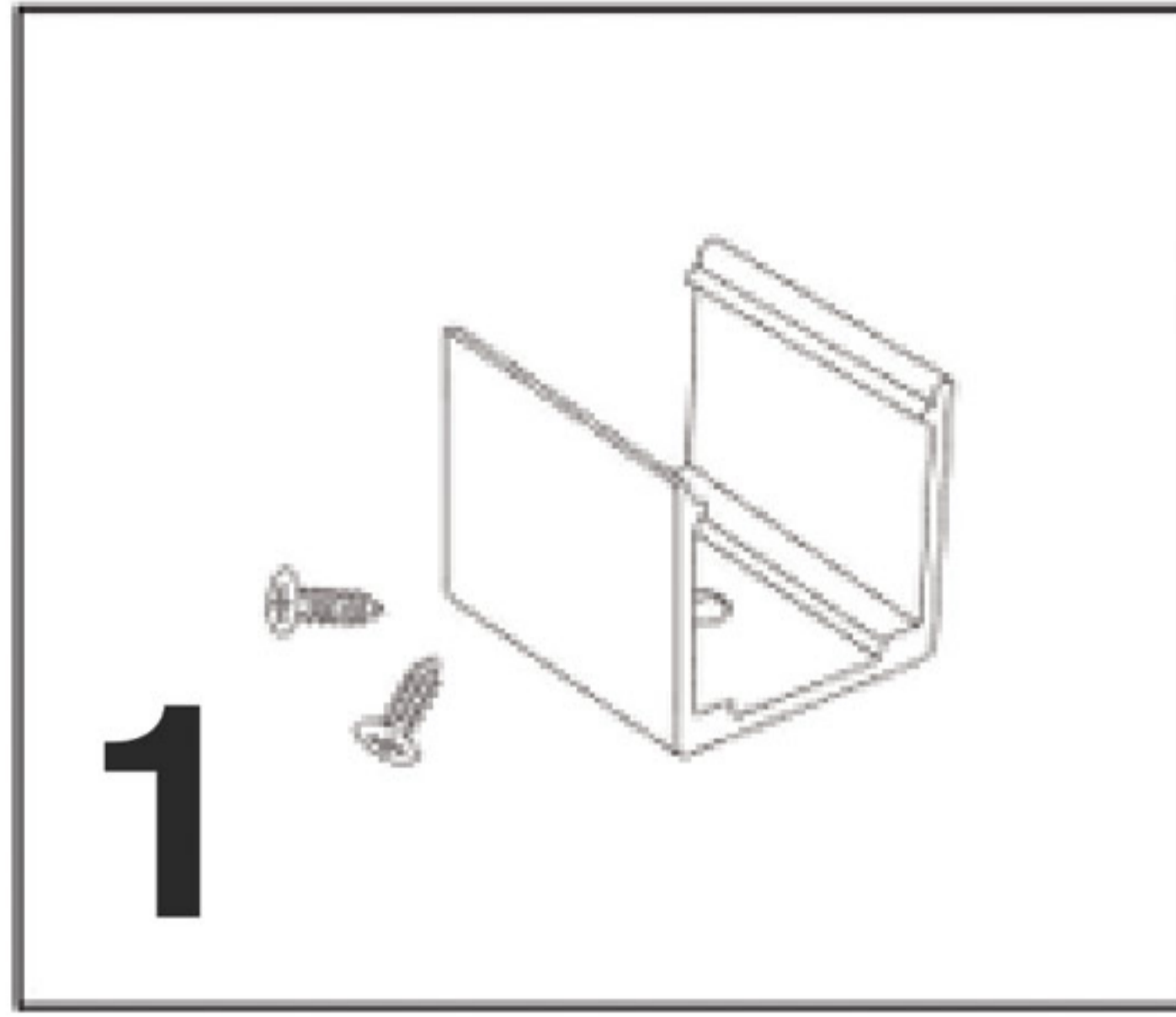
## Mounting Profile:



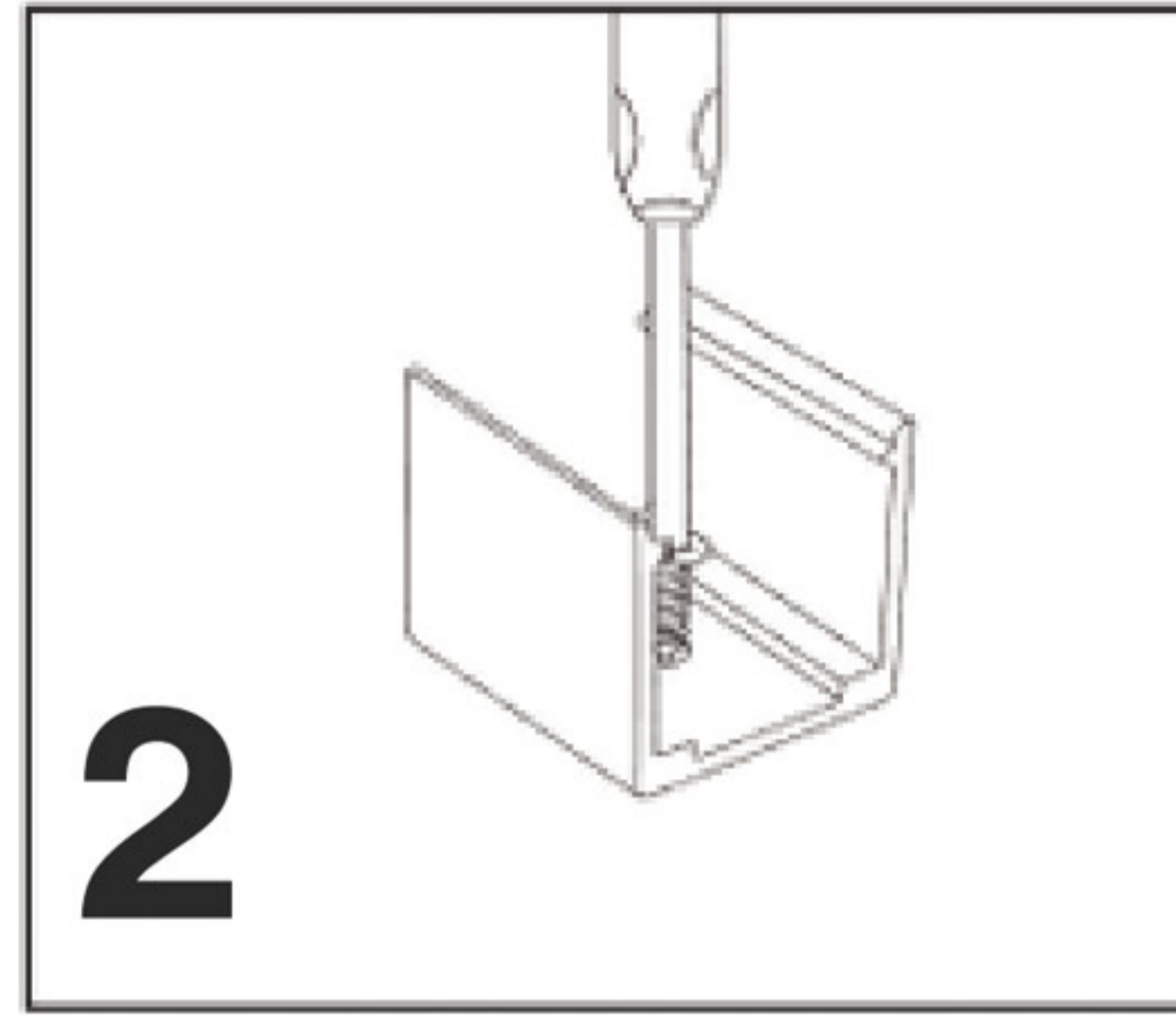
Shop 1, 242 Glenhuntly Road, Elsternwick, Victoria, 3185

Tel: +6103 9523 1777, Email: [info@davolucelighting.com.au](mailto:info@davolucelighting.com.au) | [www.davolucelighting.com.au](http://www.davolucelighting.com.au)

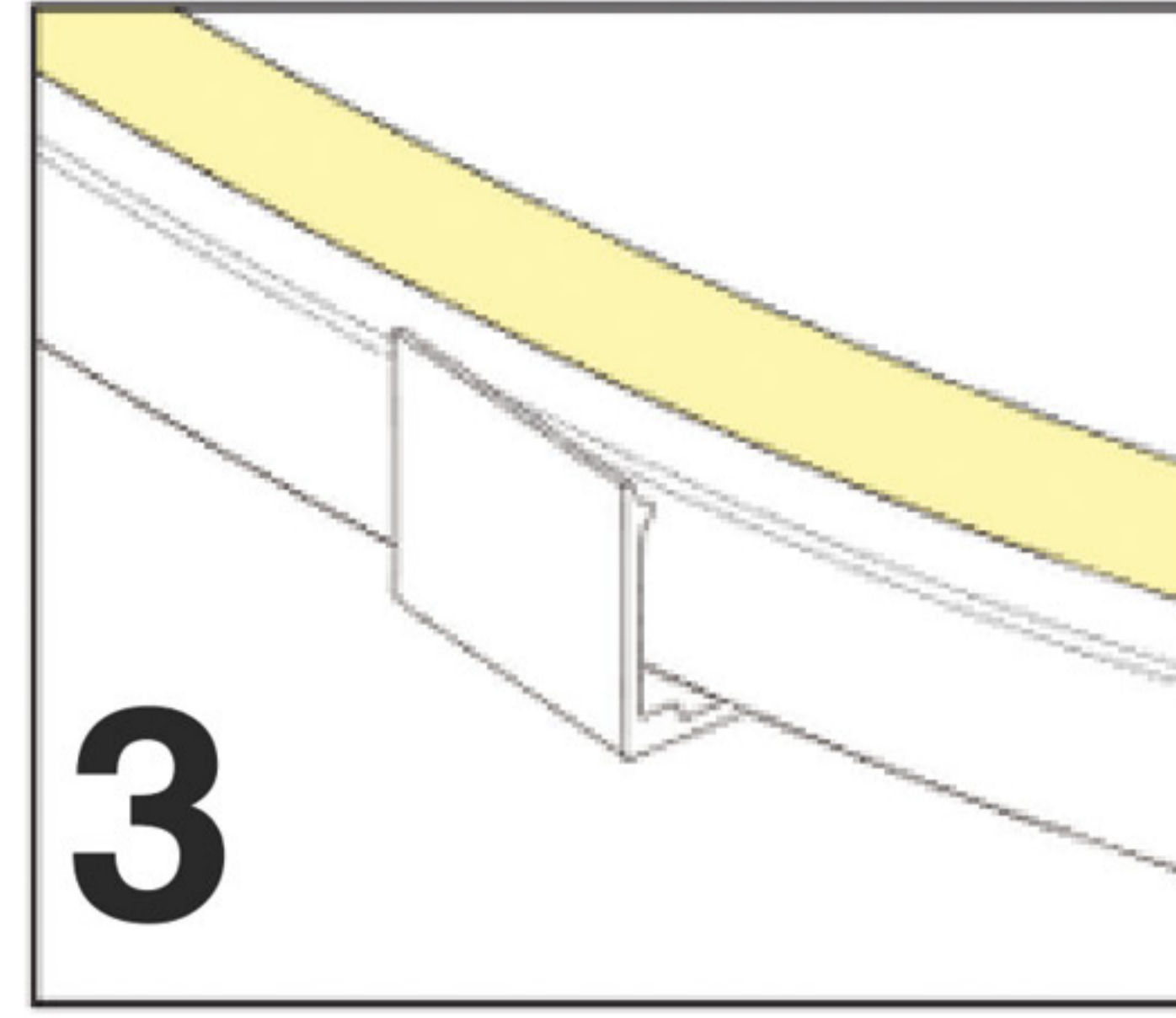
# Installation:



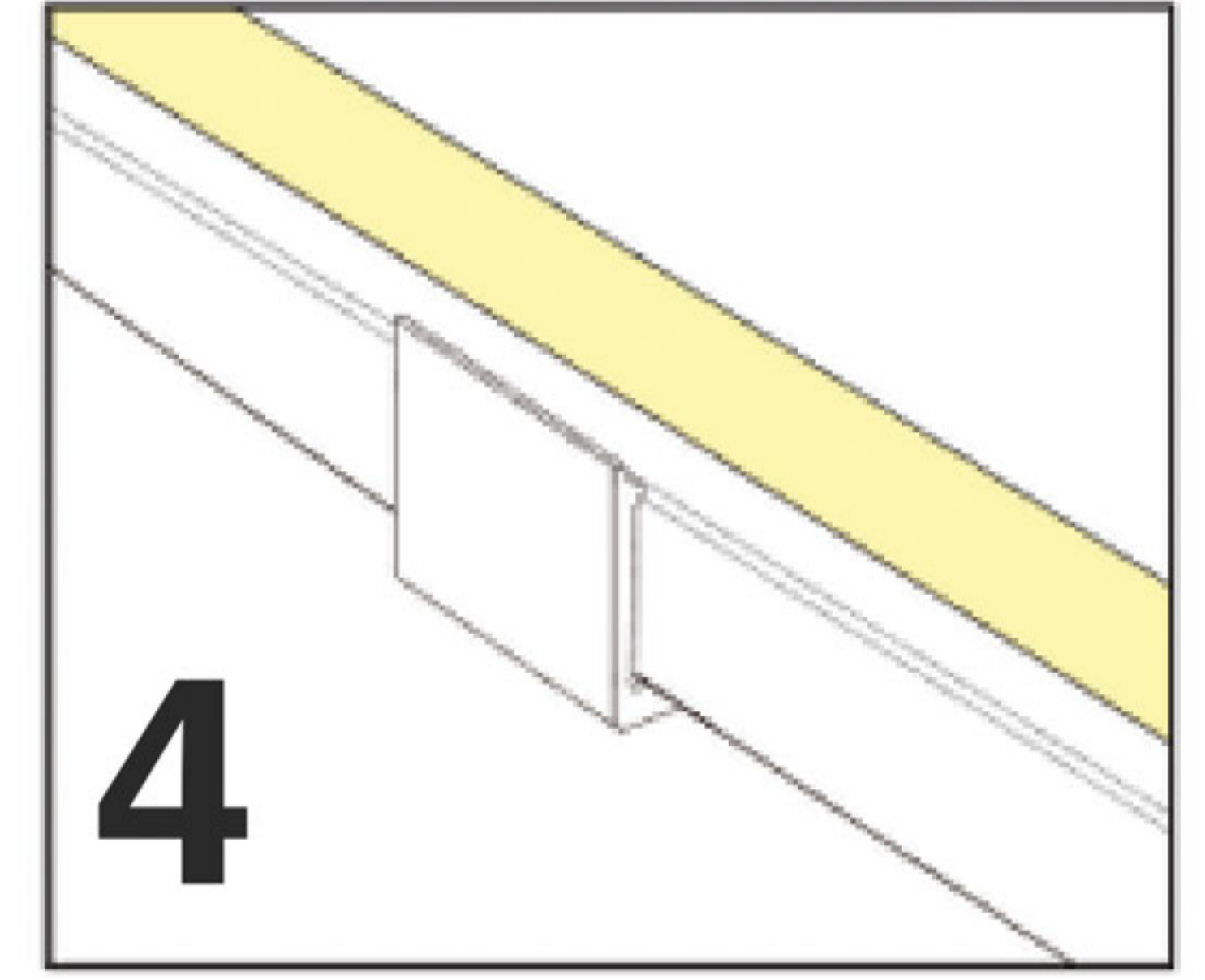
1 Prepare the screws and mounting clips



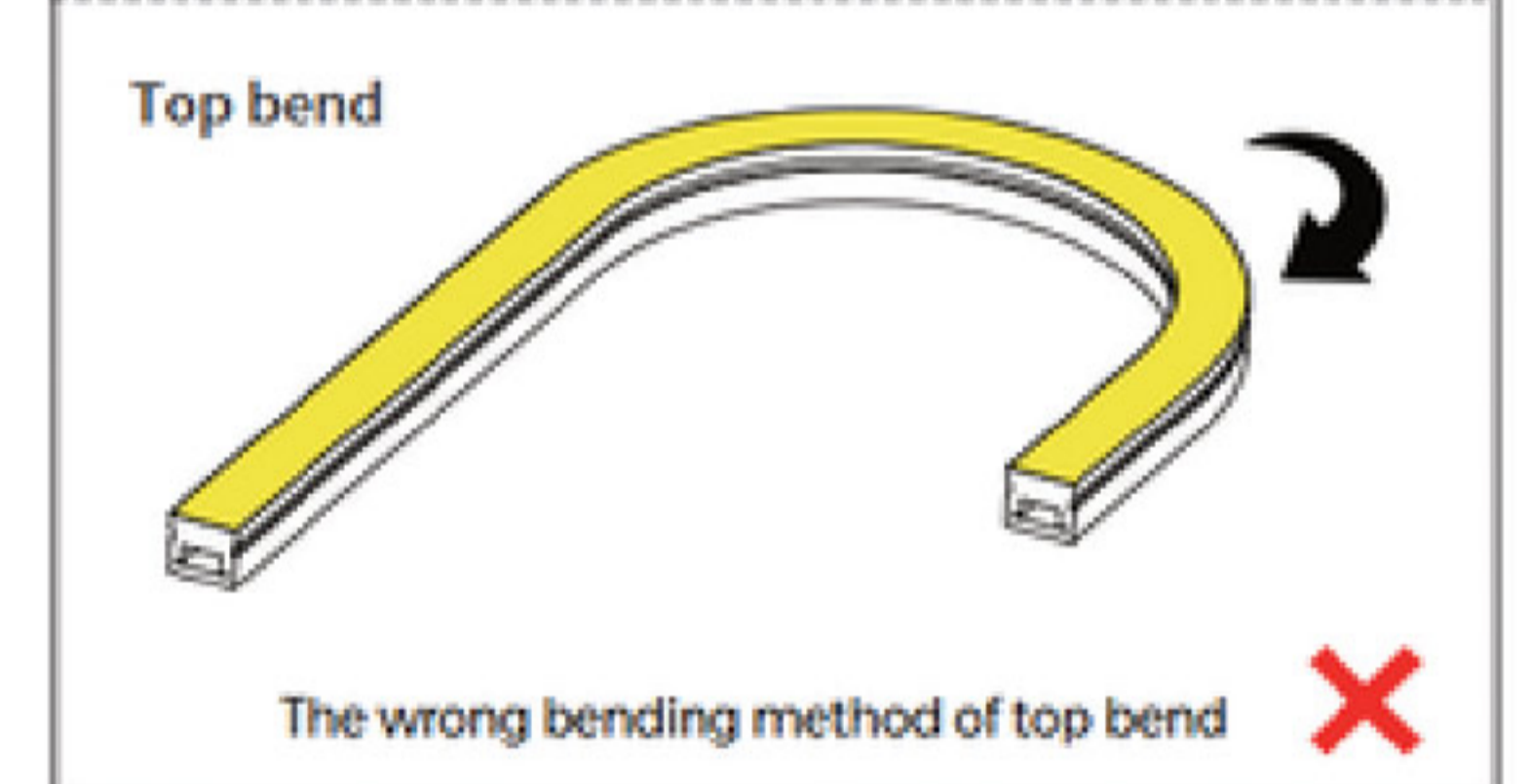
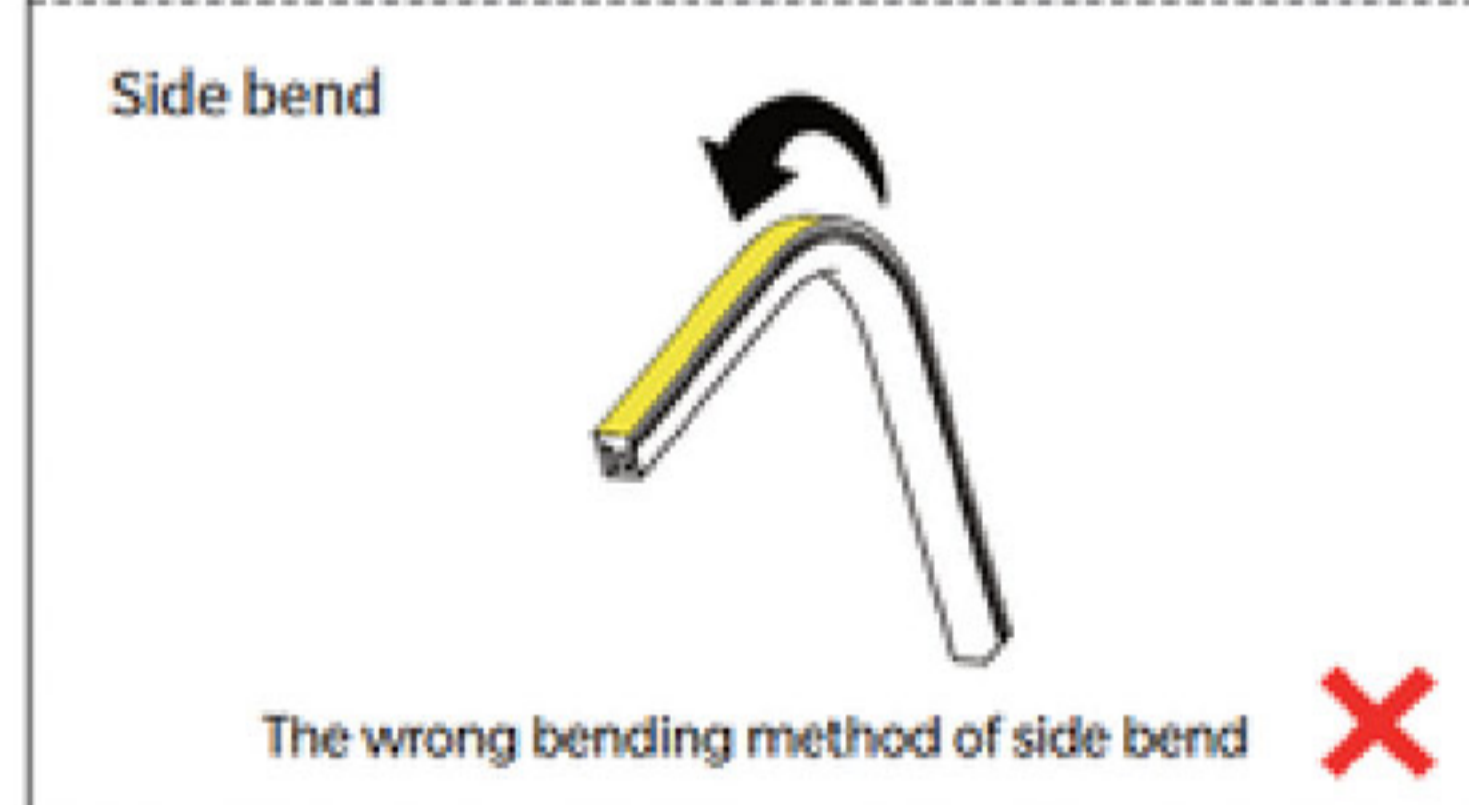
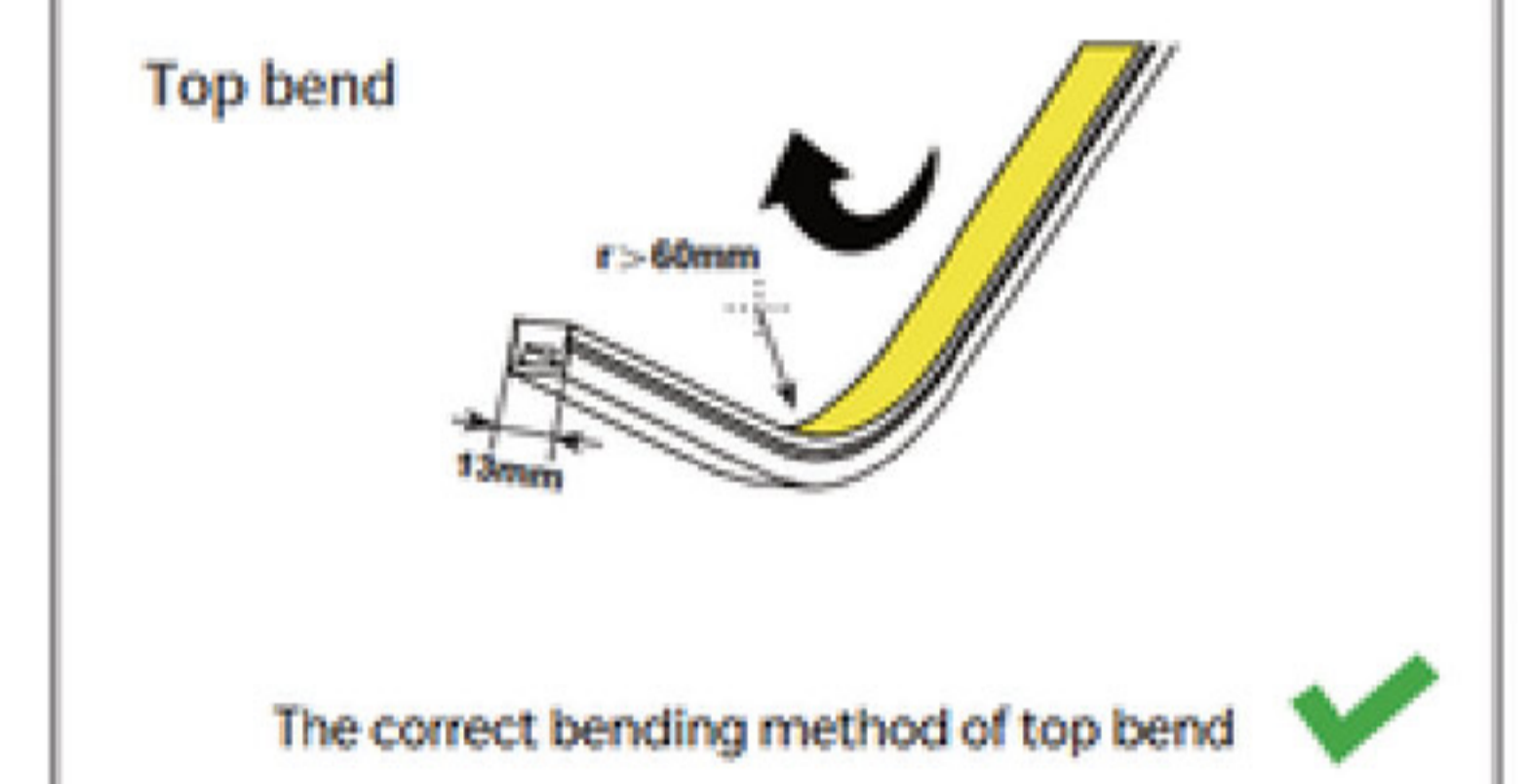
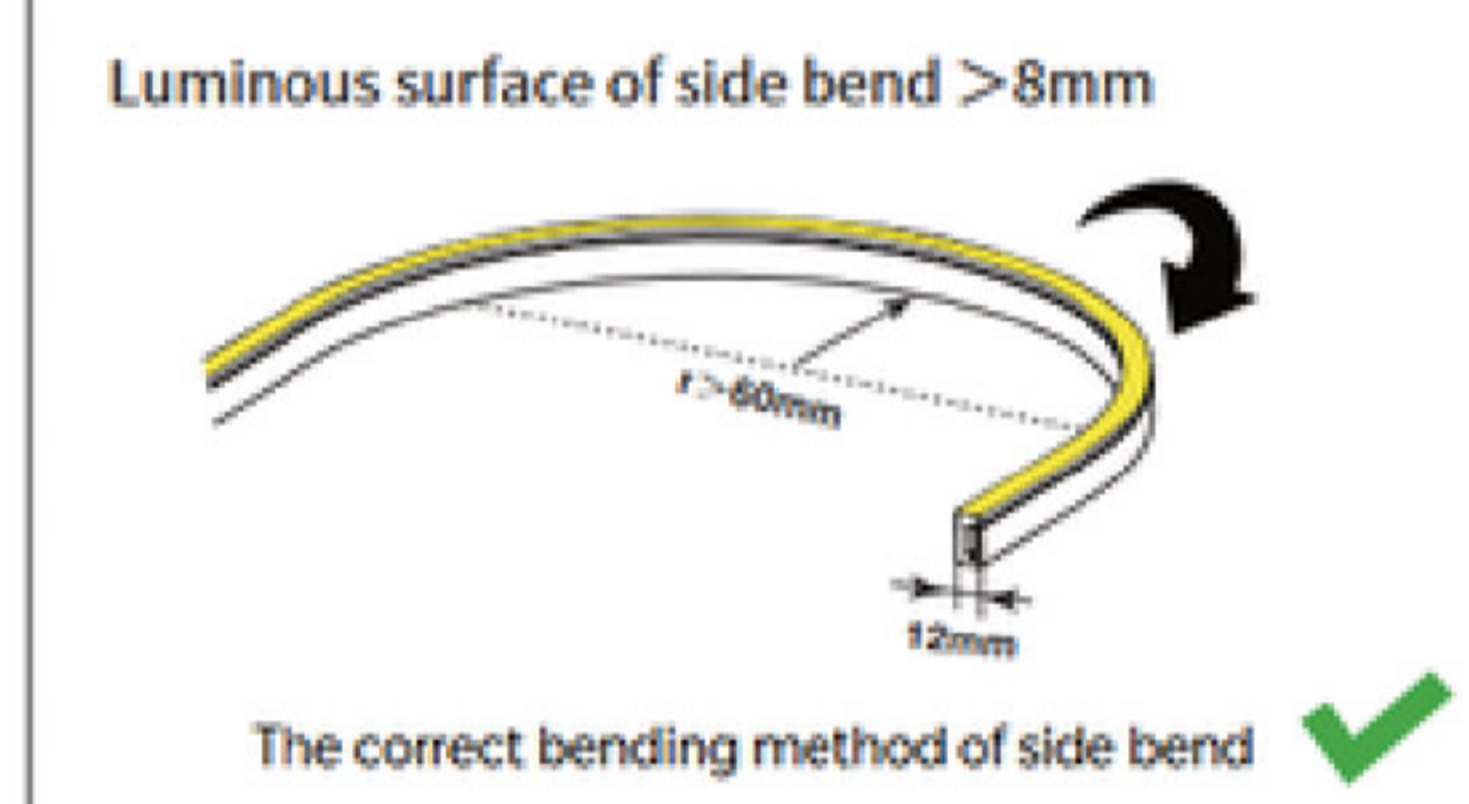
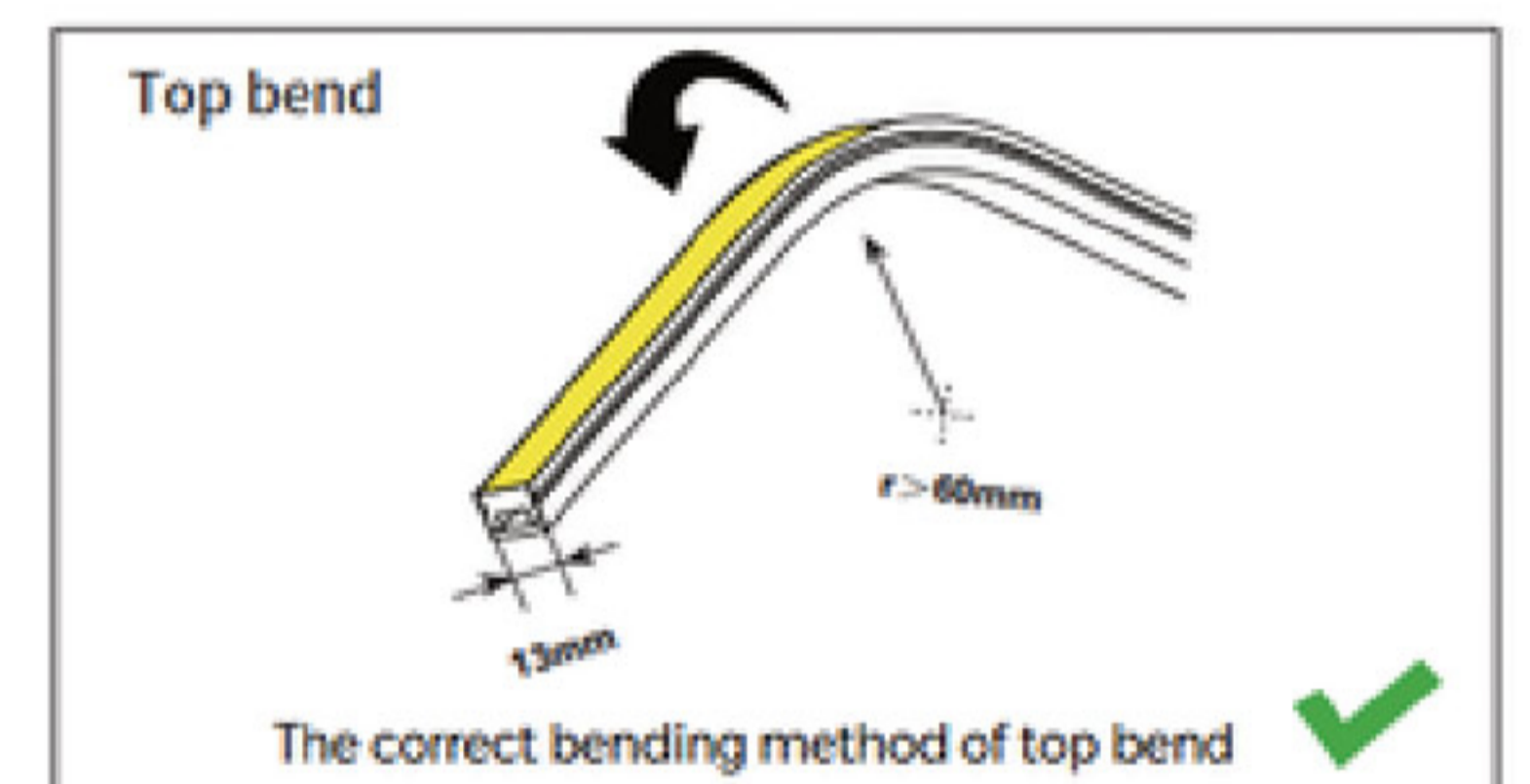
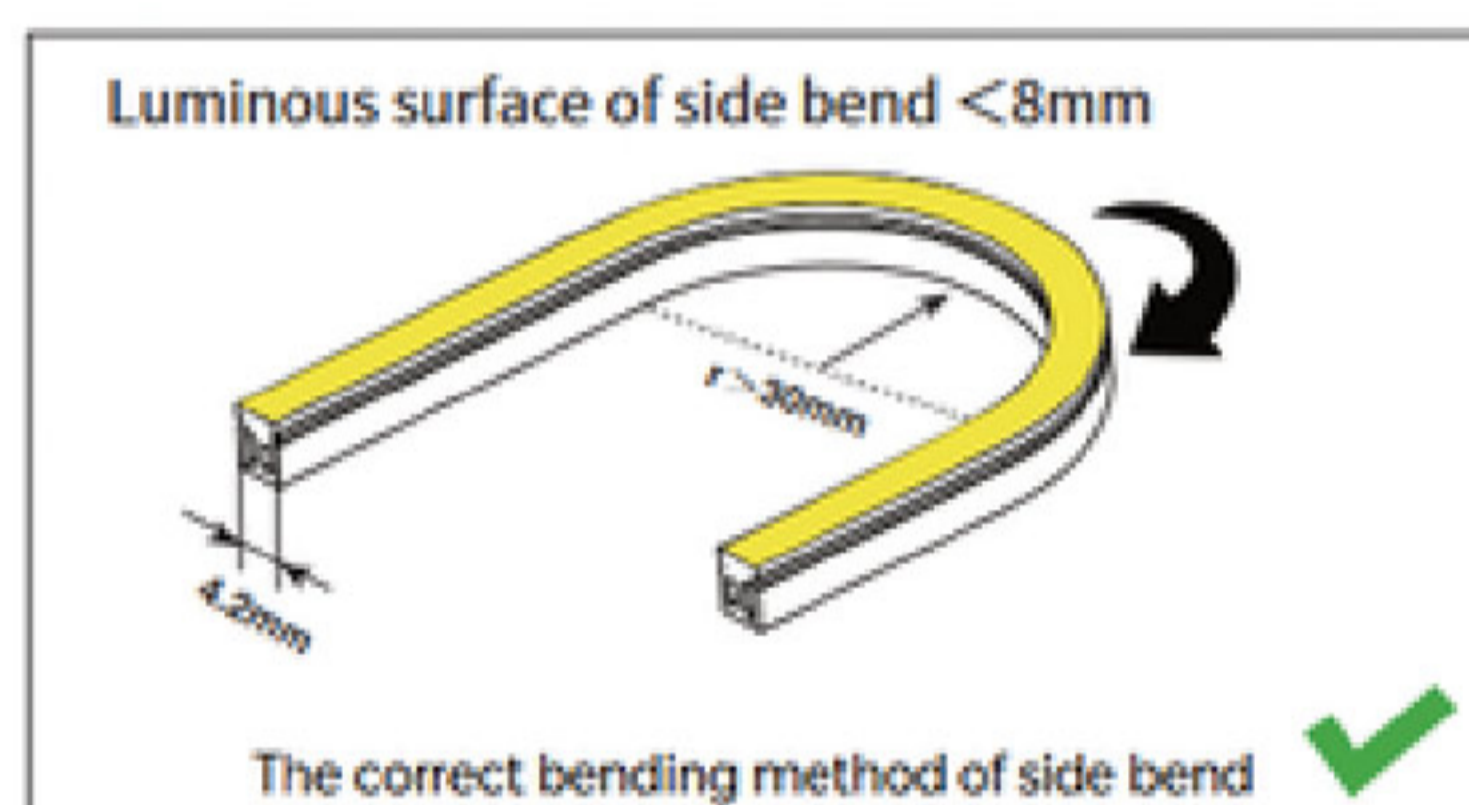
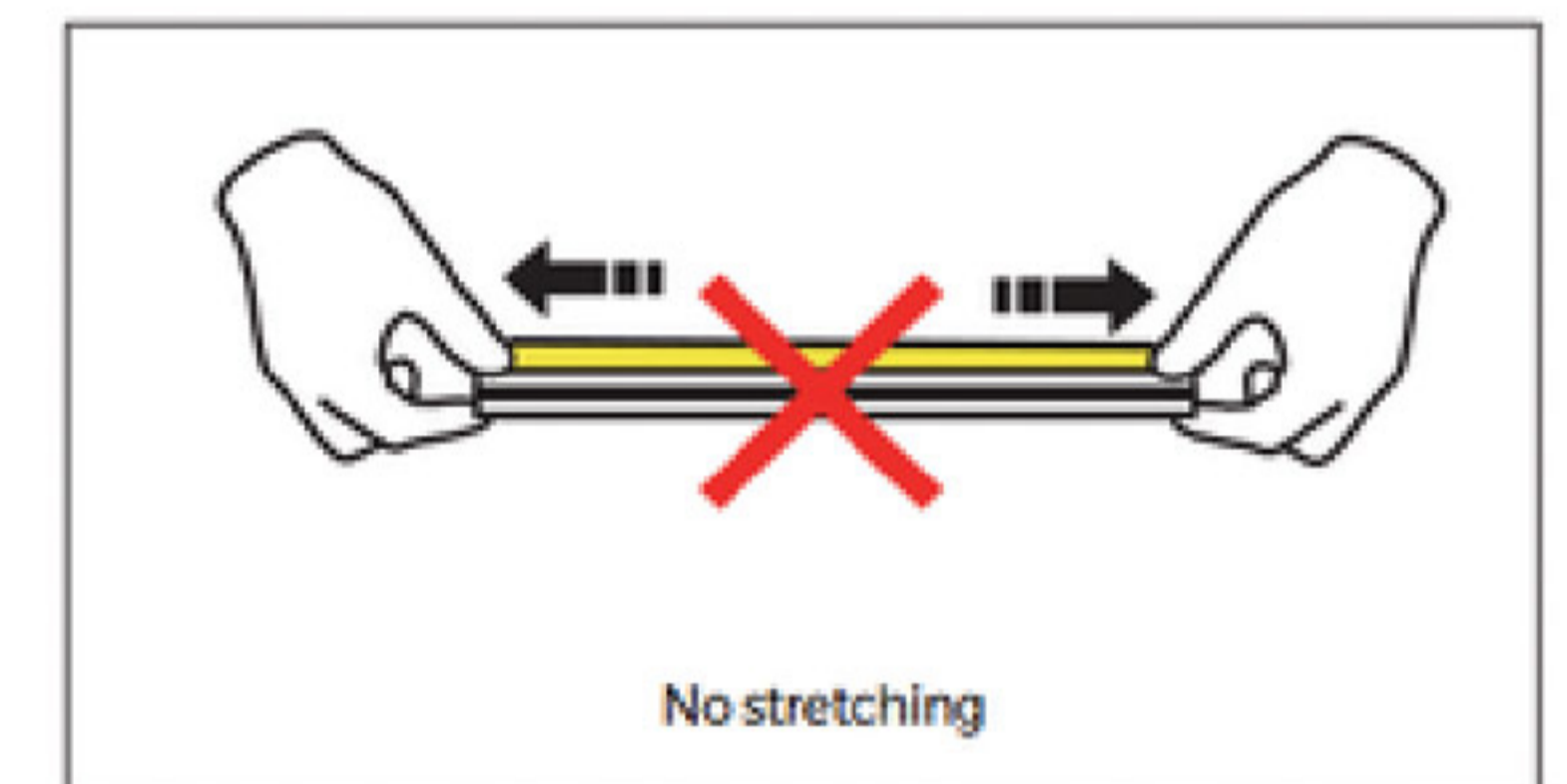
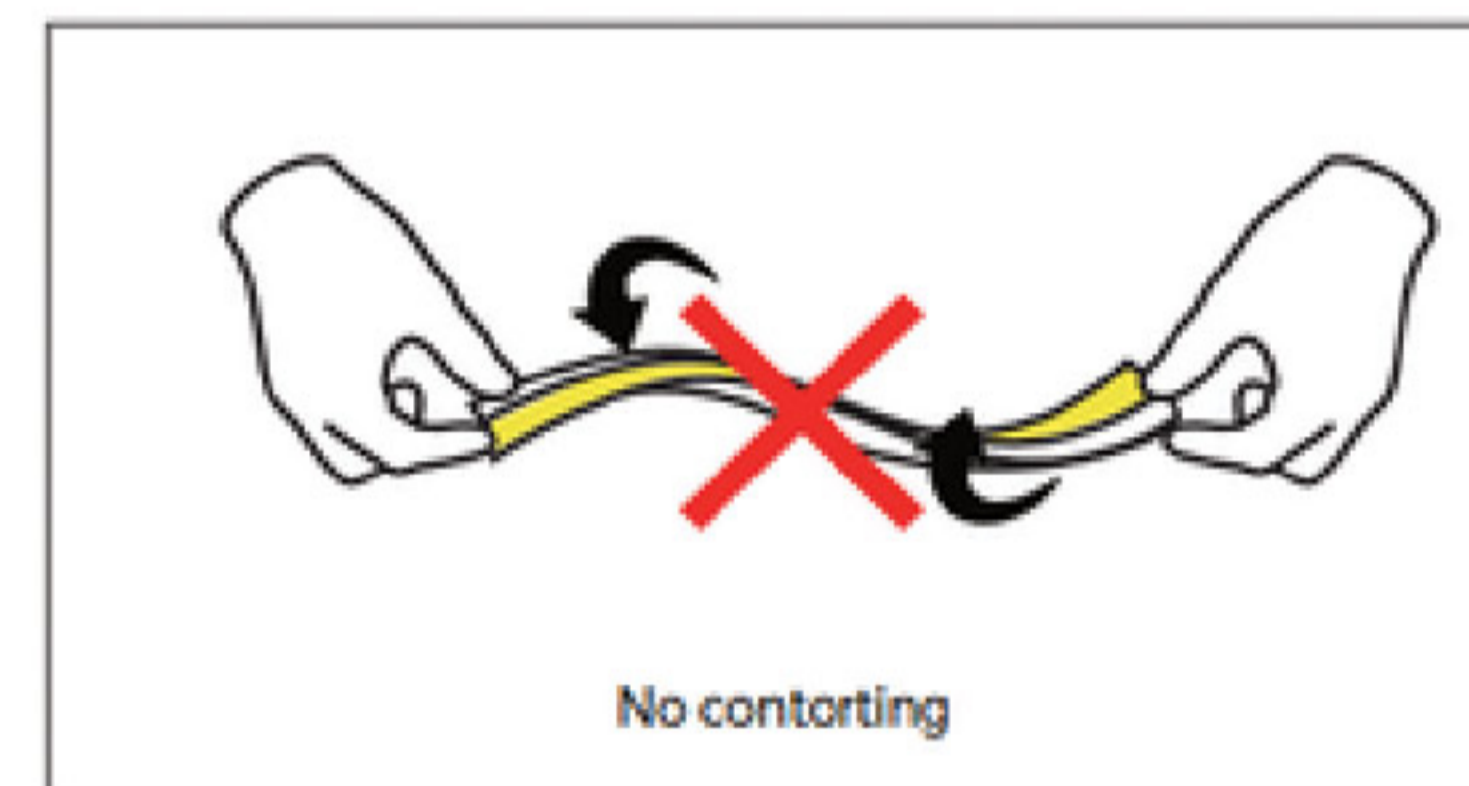
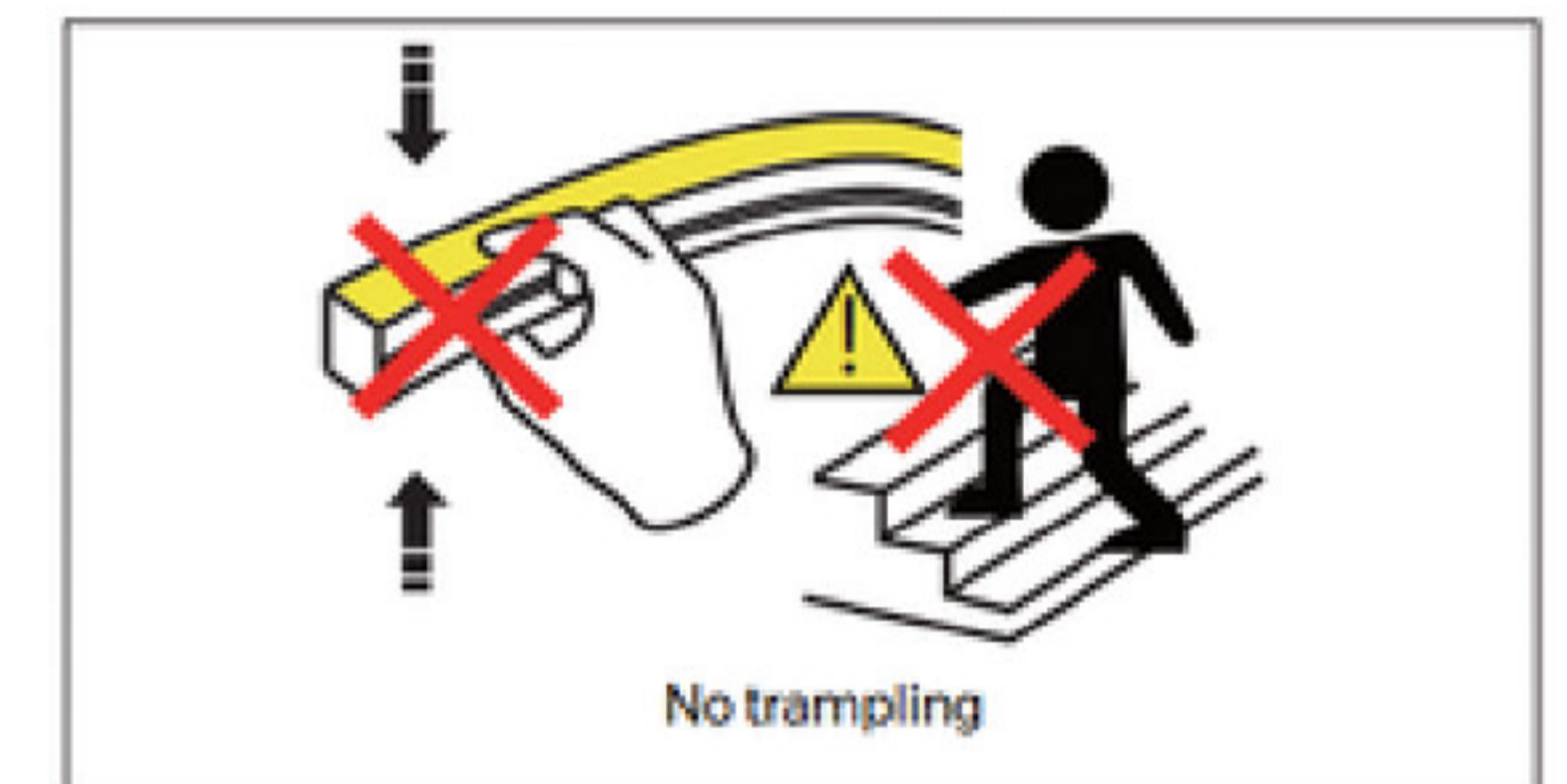
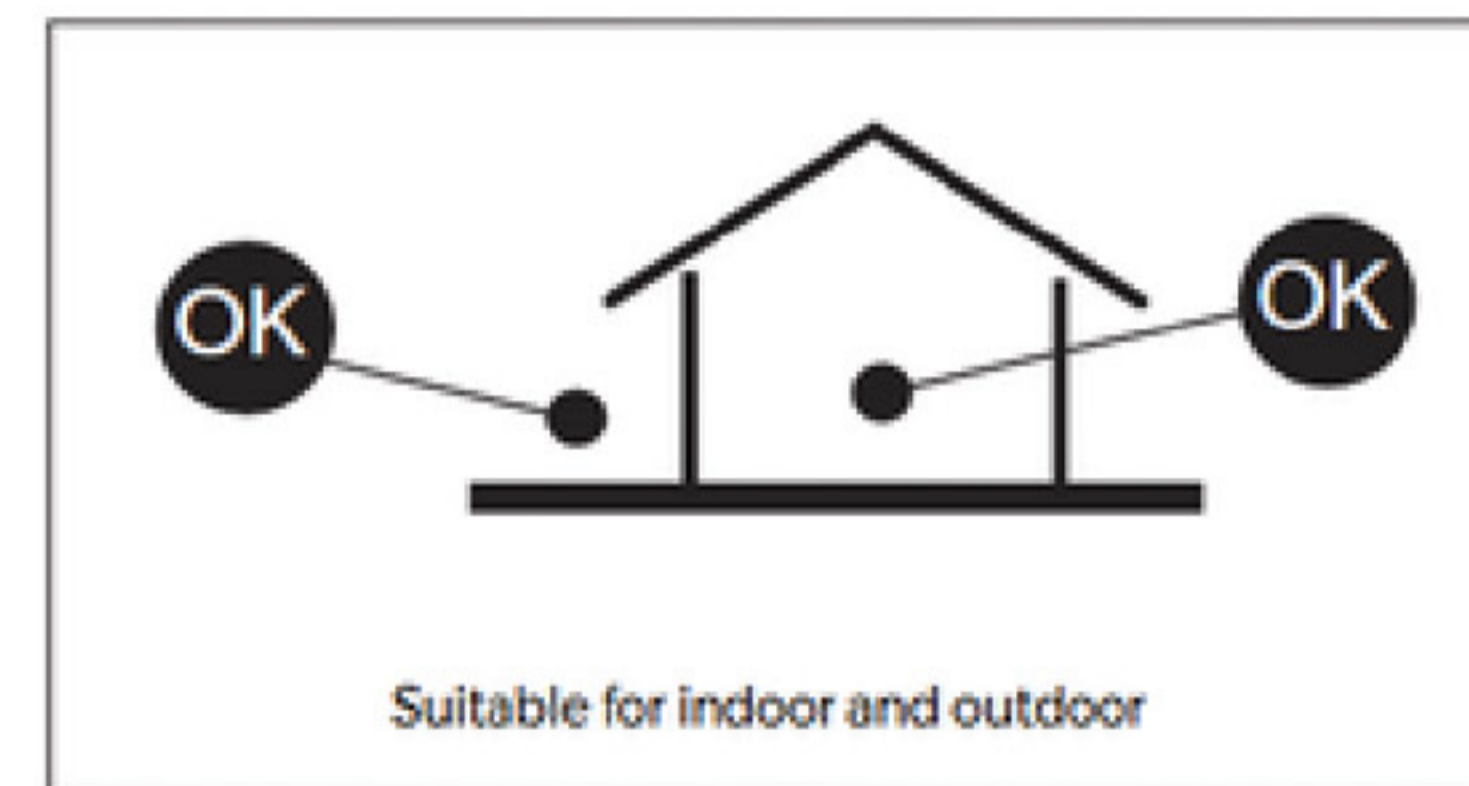
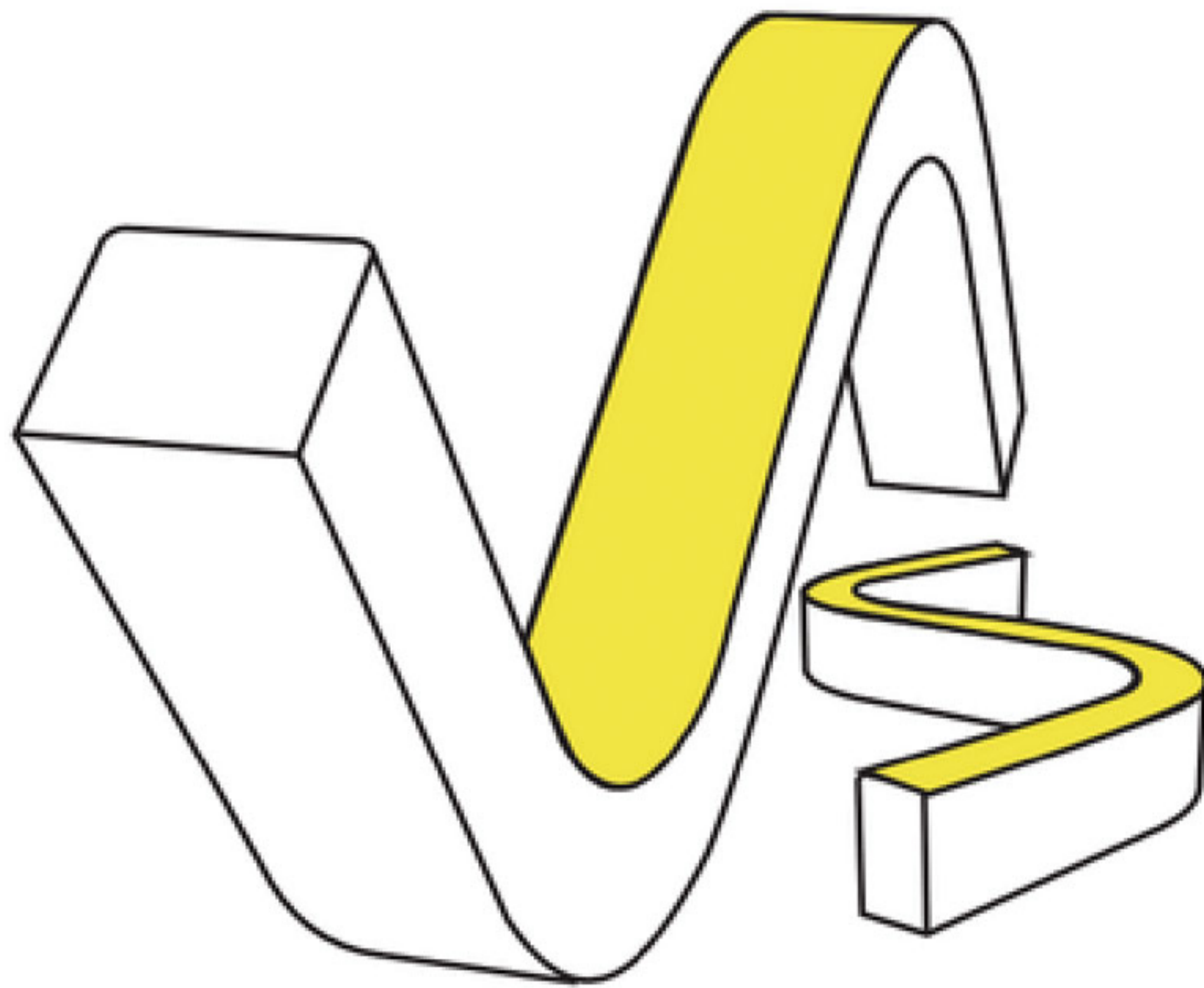
2 Adjust the fixed clips to the appropriate place, use a screwdriver to fix the screw.



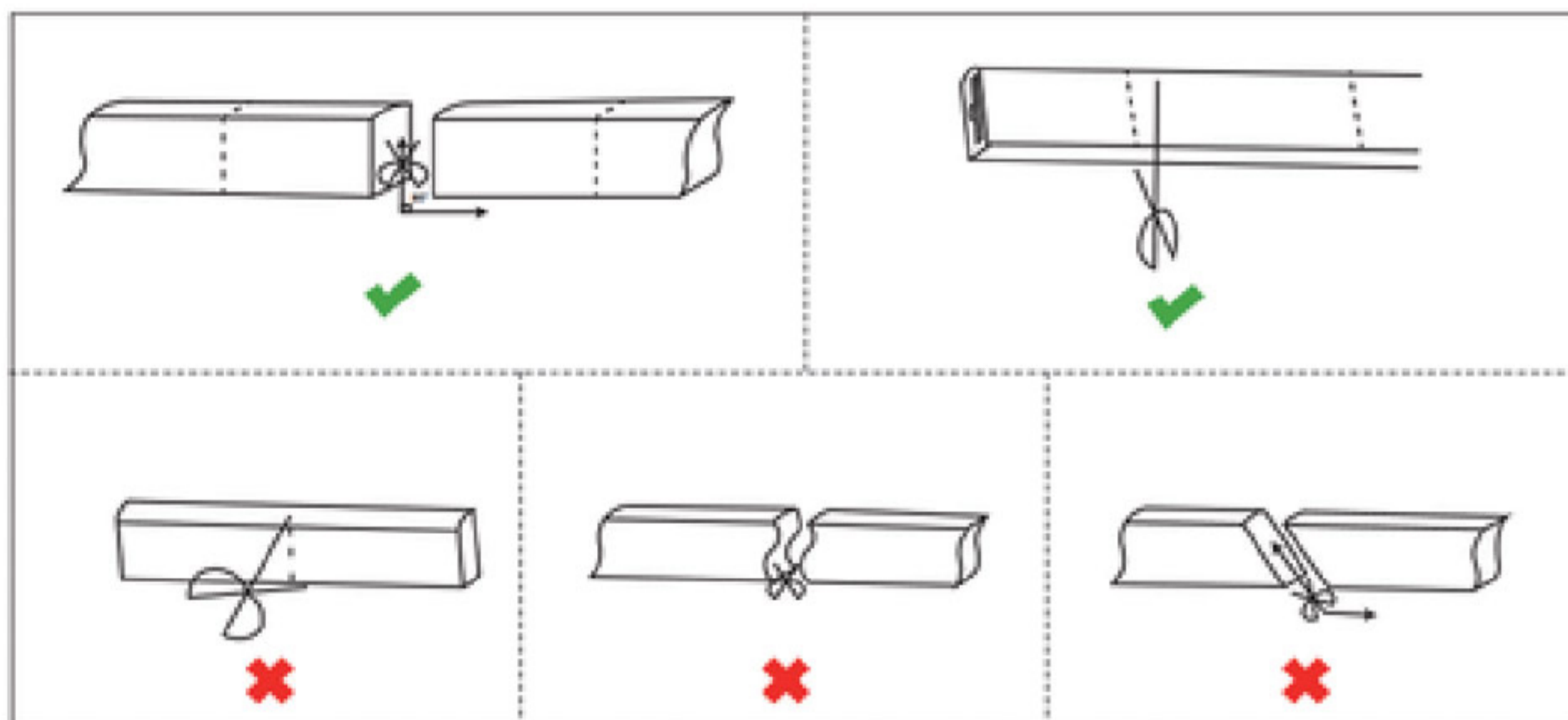
3 Put the light emitting surface upwards, then insert the LED strip into the fixed clips.



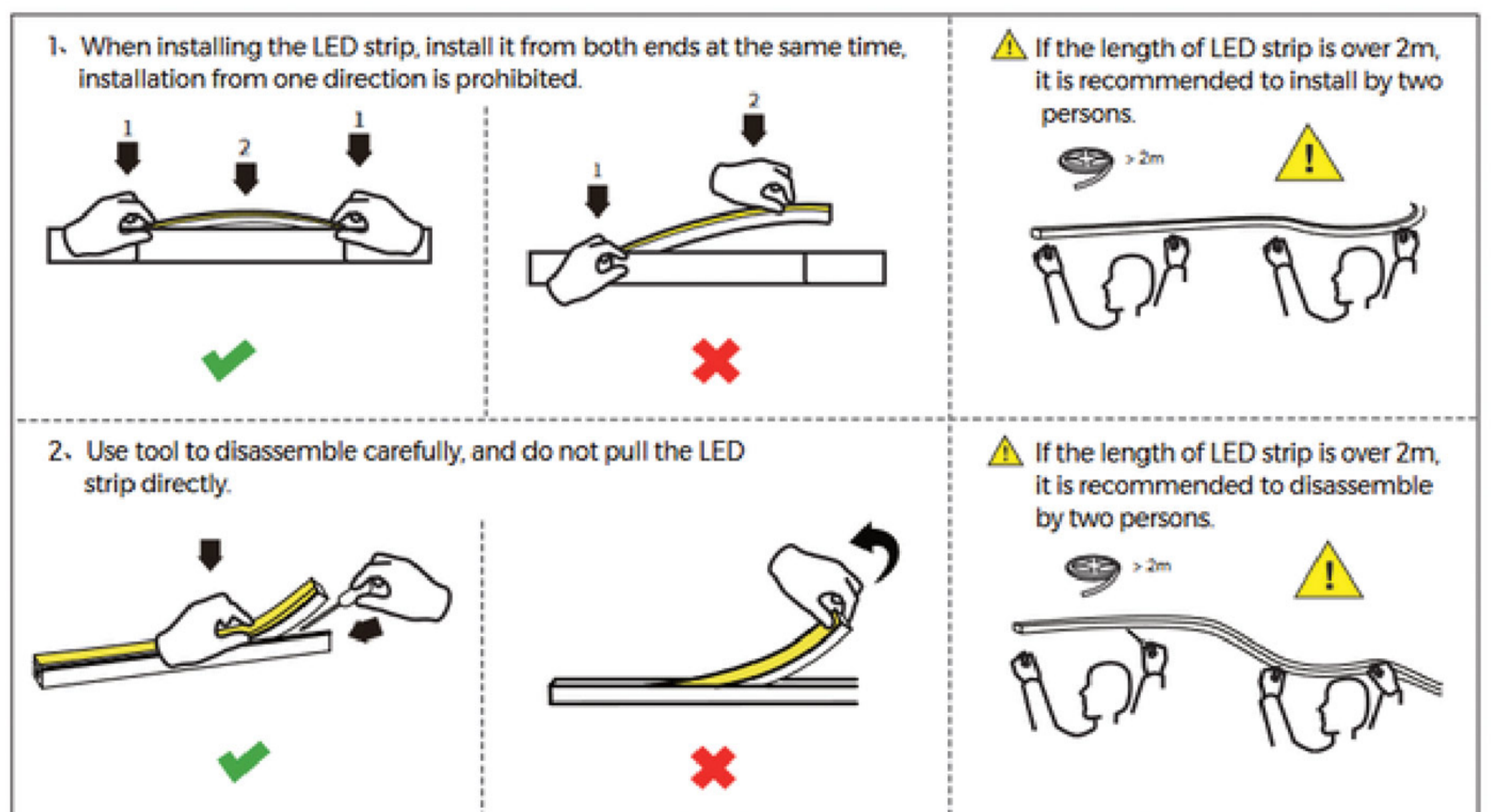
4 Fix NEON strip completely into the fixed clip.



## Cutting to size:



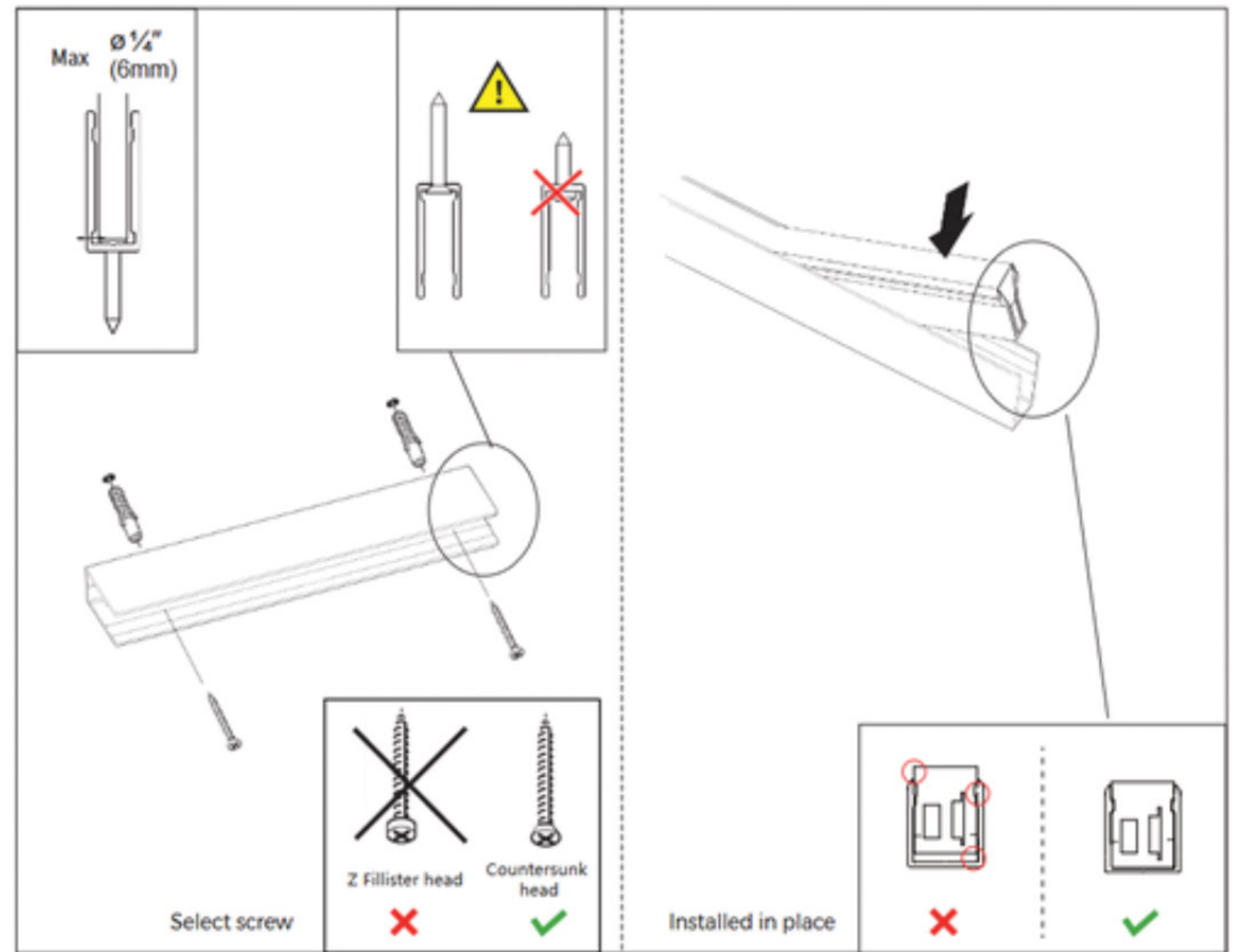
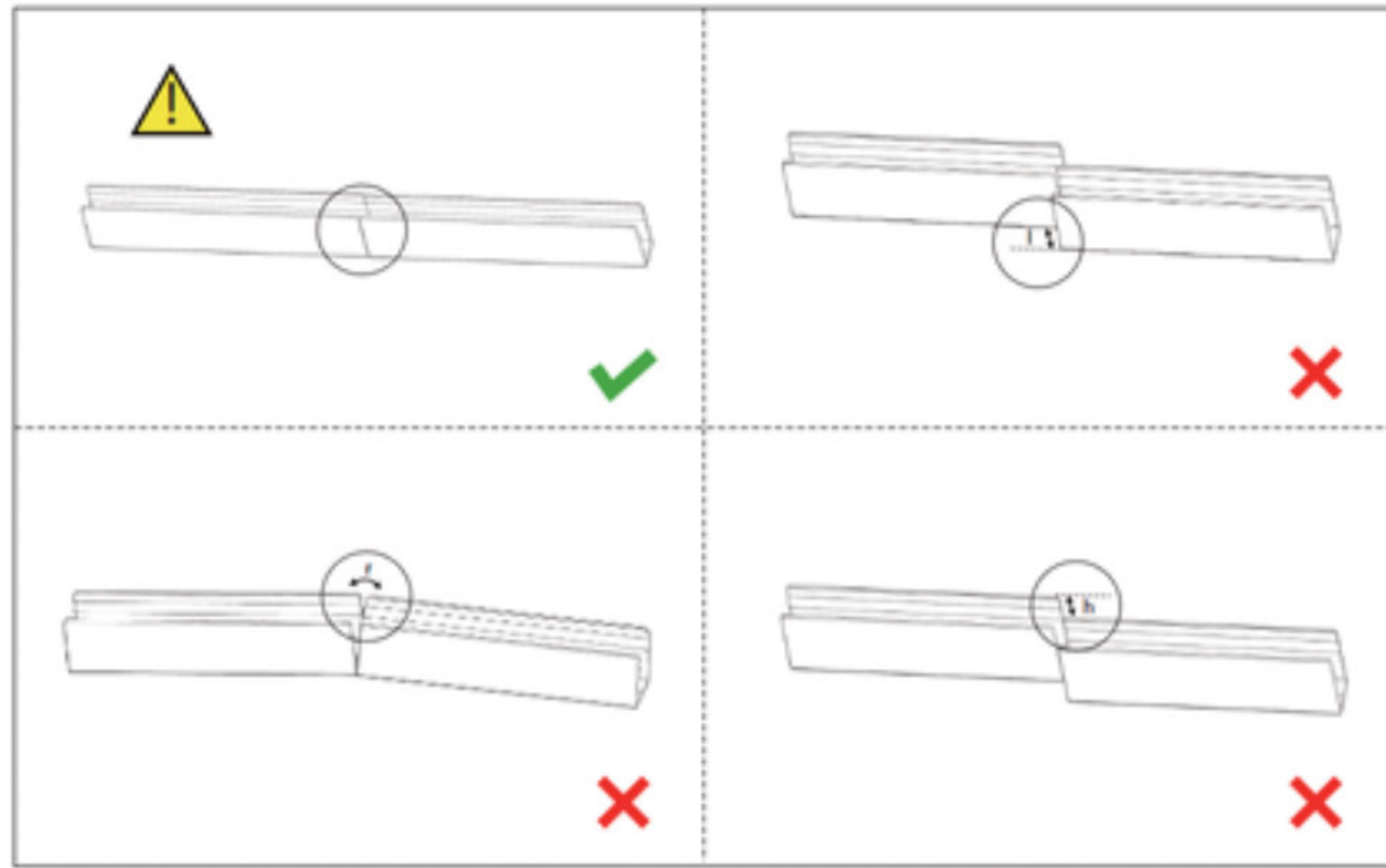
## Mounting Profile Installation:



Shop 1, 242 Glenhuntly Road, Elsternwick, Victoria, 3185

Tel: +6103 9523 1777, Email: info@davolucelighting.com.au | www.davolucelighting.com.au

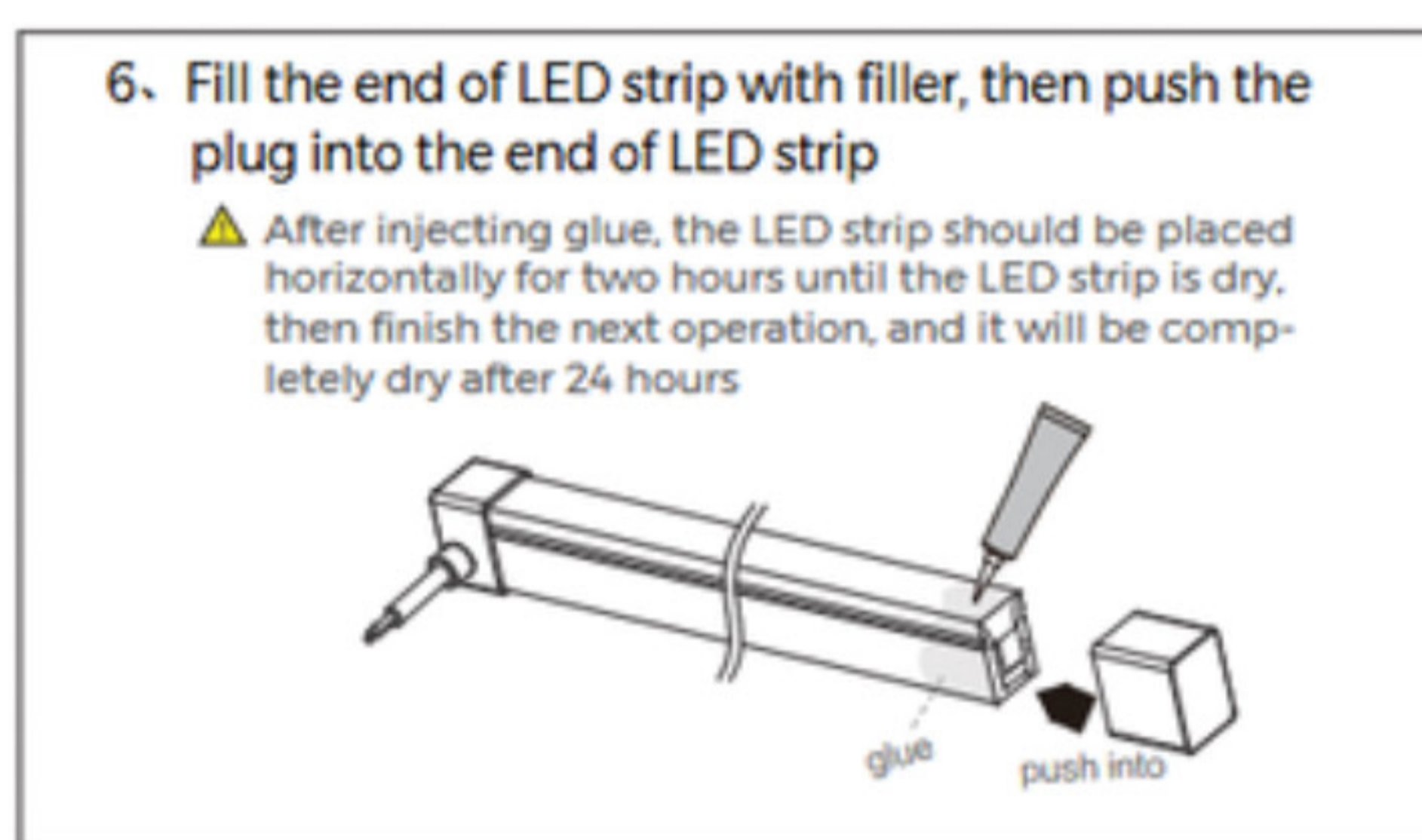
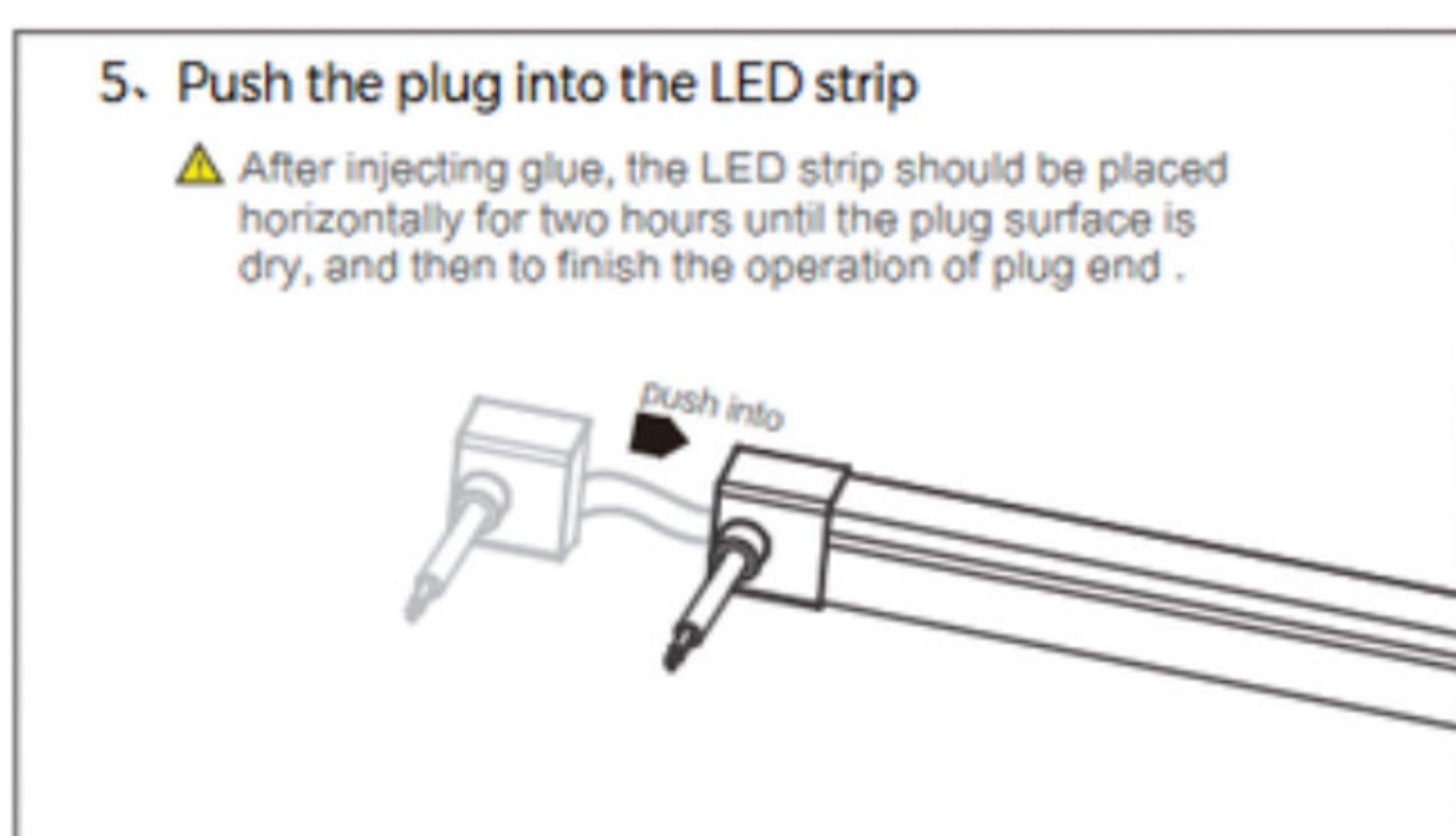
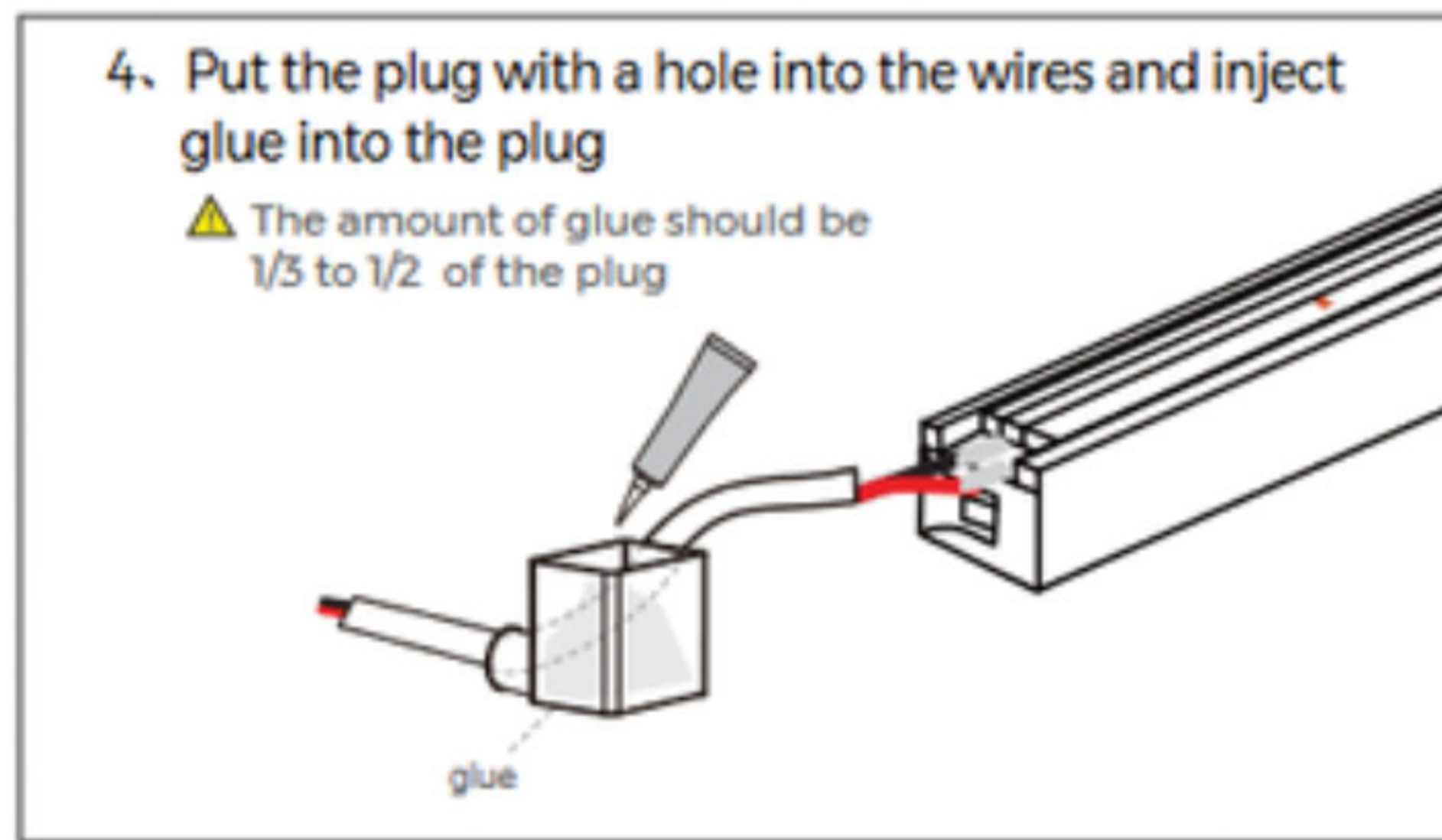
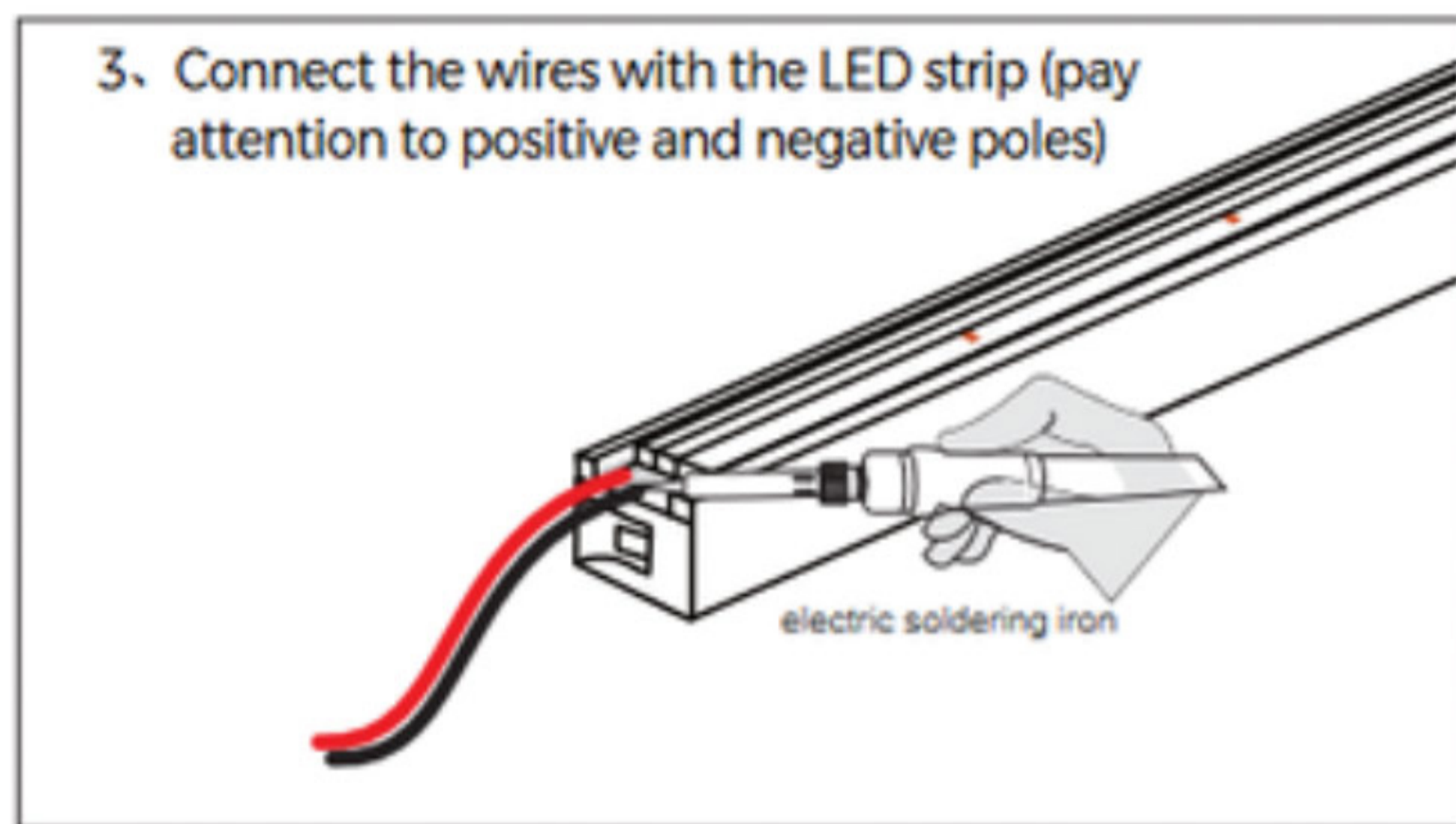
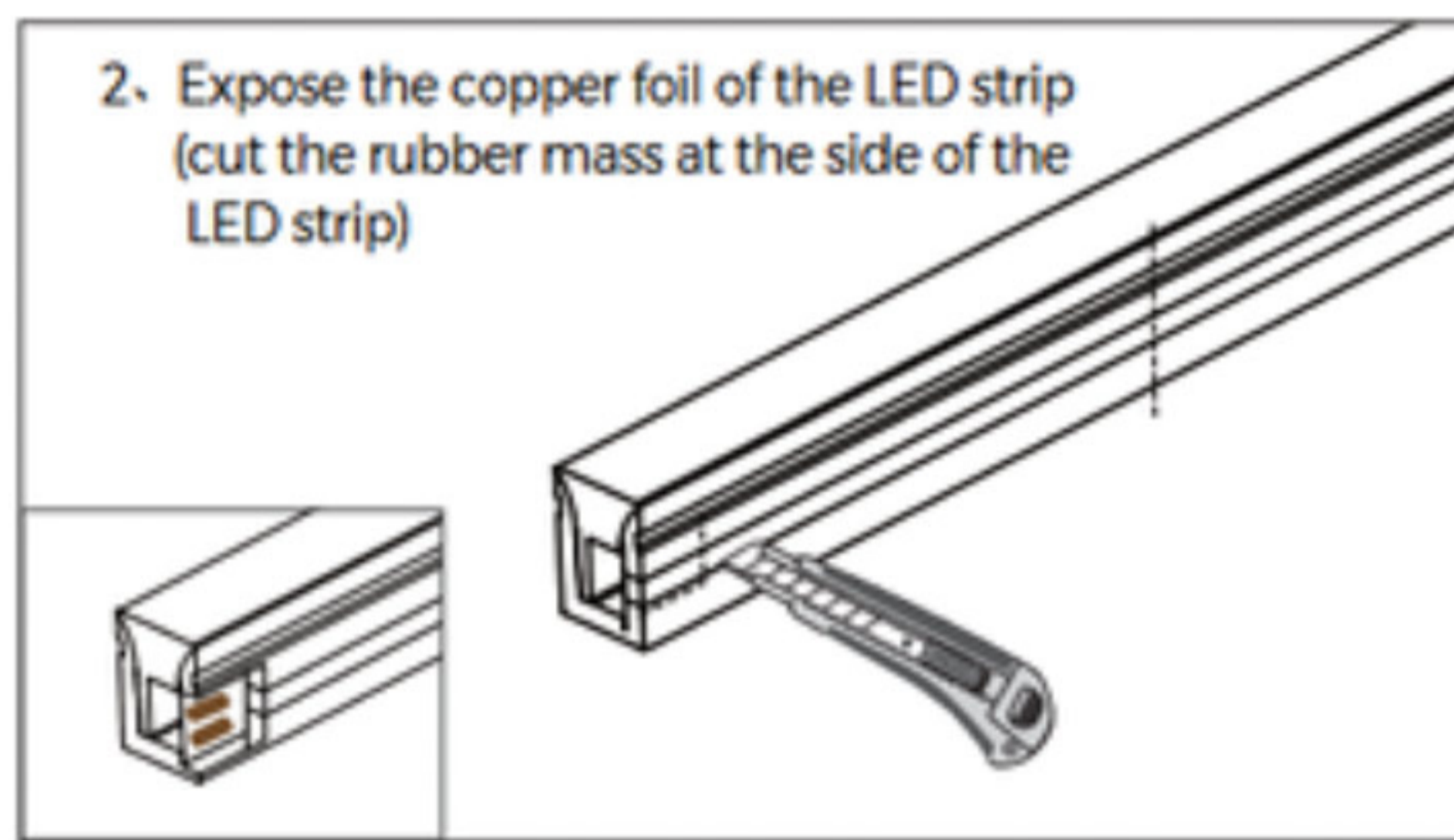
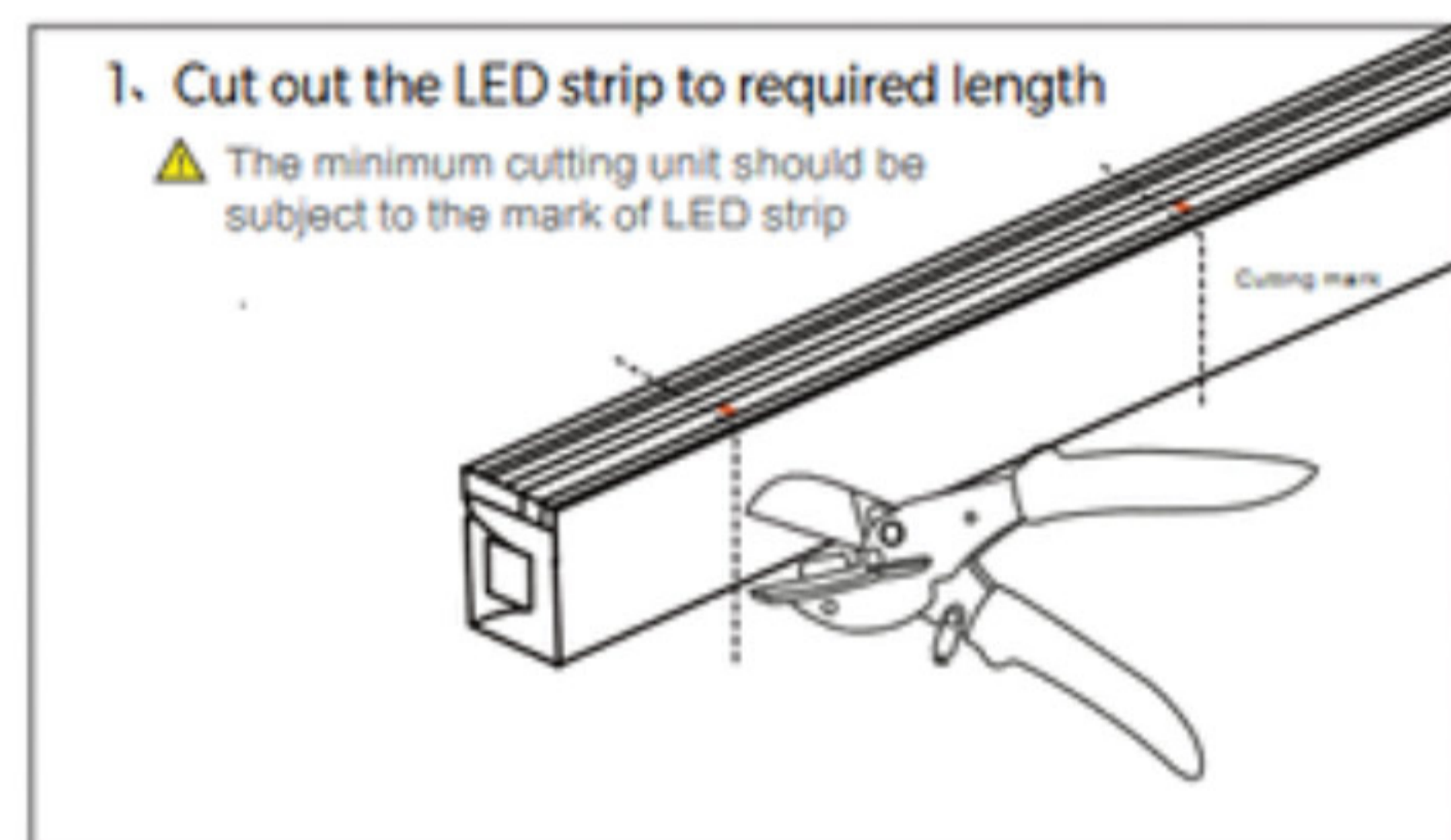
# Mounting Profile Installation:



## Soldering instructions:

- all of your lengths should be supplied in complete lengths with tails. Leave the soldering to us!

Ensure neon flex is completely housed in profile for the best look and to prevent any dropping over time



## Driver:

Ensure driver is 24V DC, and IP rated if installing outdoors

## Dimming options:

- Non Dimmable
- Phase Dimmable
- DALI
- 1-10V
- Casambi

Turn off the power before wiring



Non-dimming connection mode



Shop 1, 242 Glenhuntly Road, Elsternwick, Victoria, 3185

Tel: +6103 9523 1777, Email: info@davolucelighting.com.au | www.davolucelighting.com.au