

PURATI

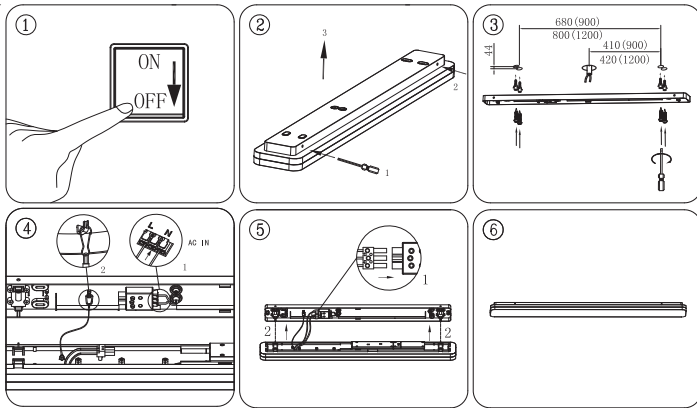


Model	Voltage	Current	PF	Wattage	Luminous Flux	W/Φ (mm)	H (mm)	ta (°C)
Slice Long 1200	220-240V~	0.17A/0.13A	0.95	38W/29W	3800/2900LM(Warm White) 3800/2900LM(Neutral White) 3800/2900LM(Cool White)	1200	130/55	40

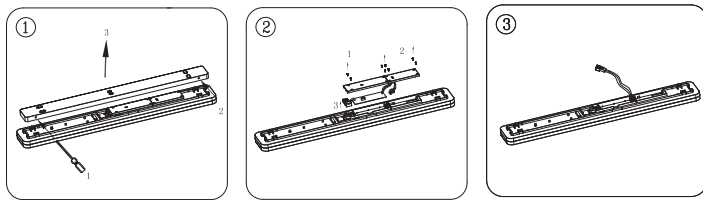
Suitable Version: Non-Dimmable and Dimmable luminaire with or without color temperature selectable function. Color Temperature: Warm White:2700K-3200K Neutral White:3800K-4200K Cool White:6000K-6600K;



Installation instruction



Light source disassembly instruction



- Always follow this instruction to ensure correct and safe installation and functioning of the luminaire and keep it for future reference.
- Always isolate the power before commencing installation.
- If in doubt, consult a qualified electrician. Ensure that you always install the luminaire to the relevant regulations.
- NOTE: The illuminators of luminaires are non-identical between different models or between same model with different function. Mixed use will lead malfunction of the luminaries or working improperly. Please follow the color label to install if has **(e.g red label matches red label)**.
MANUFACTURER DOES NOT TAKE ANY RISKS AND RESPONSIBILITIES ARISING FROM NON-STANDARD OPERATION.

Correct Disposal of this product



This marking indicates that this product should not be disposed with other household wastes throughout the EU. To prevent possible harm to the environment or human health from uncontrolled waste disposal, recycle it responsibly to promote the sustainable reuse of material resources. To return your used device, please use the return and collection systems or contact the retailer where the product was purchased. They can take this product for environmental safe recycling.

PURATI

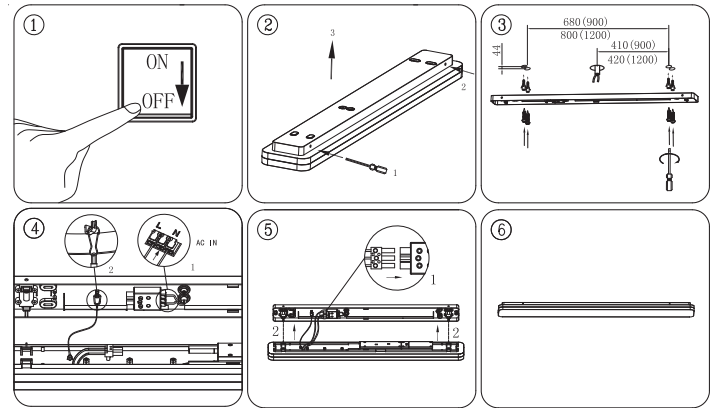


Model	Voltage	Current	PF	Wattage	Luminous Flux	W/Φ (mm)	H (mm)	ta (°C)
Slice Long 1200	220-240V~	0.17A/0.13A	0.95	38W/29W	3800/2900LM(Warm White) 3800/2900LM(Neutral White) 3800/2900LM(Cool White)	1200	130/55	40

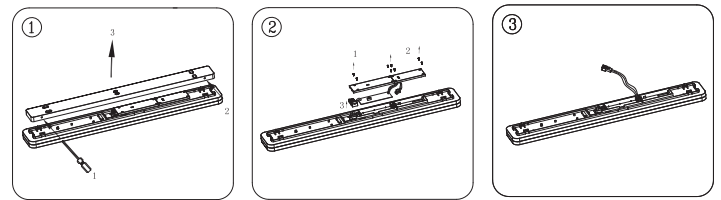
Suitable Version: Non-Dimmable and Dimmable luminaire with or without color temperature selectable function. Color Temperature: Warm White:2700K-3200K Neutral White:3800K-4200K Cool White:6000K-6600K;



Installation instruction



Light source disassembly instruction



- Always follow this instruction to ensure correct and safe installation and functioning of the luminaire and keep it for future reference.
- Always isolate the power before commencing installation.
- If in doubt, consult a qualified electrician. Ensure that you always install the luminaire to the relevant regulations.
- NOTE: The illuminators of luminaires are non-identical between different models or between same model with different function. Mixed use will lead malfunction of the luminaries or working improperly. Please follow the color label to install if has **(e.g red label matches red label)**.
MANUFACTURER DOES NOT TAKE ANY RISKS AND RESPONSIBILITIES ARISING FROM NON-STANDARD OPERATION.

Correct Disposal of this product



This marking indicates that this product should not be disposed with other household wastes throughout the EU. To prevent possible harm to the environment or human health from uncontrolled waste disposal, recycle it responsibly to promote the sustainable reuse of material resources. To return your used device, please use the return and collection systems or contact the retailer where the product was purchased. They can take this product for environmental safe recycling.