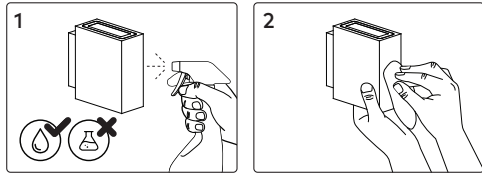


Cleaning

Warning: Before cleaning, disconnect from mains supply and allow luminaire to cool.



Disposal

Ensure correct disposal of this product (waste electrical and electronic equipment).



Corrosion Protection

It is important to note that care must be taken during installation or maintenance to ensure that the surface of the luminaire is not damaged. Any damage, which is exposed to moisture will result in corrosion occurring.

Please also note that any chemical applications on the luminaire or chemical contact via installation will cause corrosion of the surface of the luminaire and will void the warranty.

Ambient Conditions

Recommended to install in an ambient temperature <35°C.



Iris

WALL LIGHT

Base Codes	Small IRIS0005	Medium IRIS0008	Large IRIS0015	Power 5 8 15 Watts
	Class I 220–240V – 50/60Hz	IP Rating 20,65*	Material Aluminium	Install Person/s 1x

CAUTION – This product must be installed by a qualified installer
Please read instruction manual carefully before installing luminaire

Surge Protection
For comprehensive protection of a luminaire against electrical surges, surge protection shall be installed on the mains supply where required to protect luminaires and drivers from transient voltage damage.

For warranty information visit unios.com/warranty

Please read these installation instructions carefully before installing this product. This product must be installed and maintained by a suitably qualified person/s in compliance with the latest applicable regulations and relevant legislation. Unios does not warrant any claim based on defects or damage caused by misuse, improper installation, improper operation and/or modifications carried out by the purchaser or third parties. This product shall not be used as a 'working light' during construction. This will result in the warranty of the product to be void. For warranty duration, please refer to the data sheet.

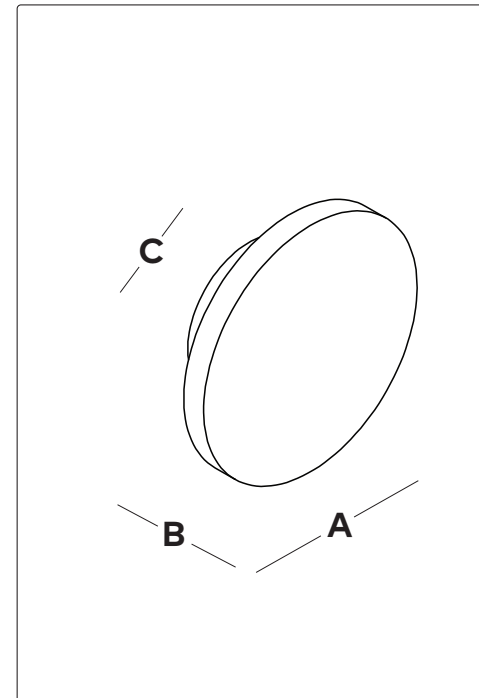
Sizing Variations

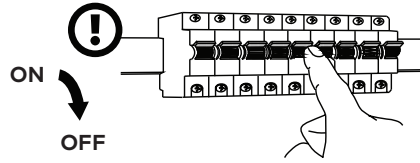
Product Code	A	B	C
IRIS0005	Ø 120	50	Ø 75
IRIS0008	Ø 225	50	Ø 120
IRIS0015	Ø 350	50	Ø 215

All measurements are in millimetres.
*IRIS0015 Model is IP20

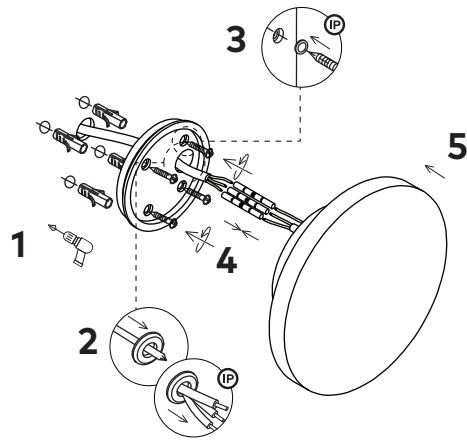
Parts

 1x Allen Key	 4x Wall Plugs (2x for Small)	 4x Wall Screws (2x for Small)
 4x Seal Washers (2x for Small)	 3x Heatshrink Solder Joiners	

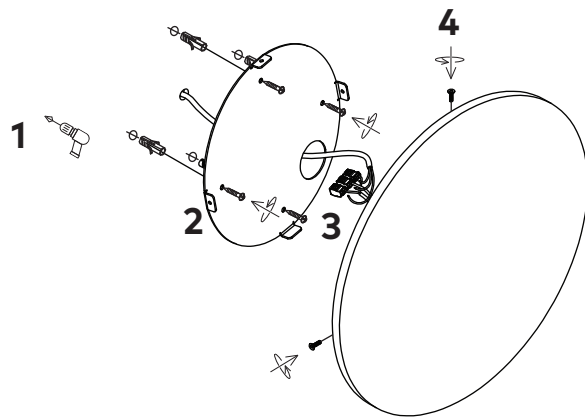




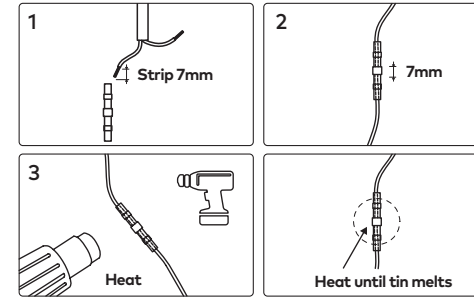
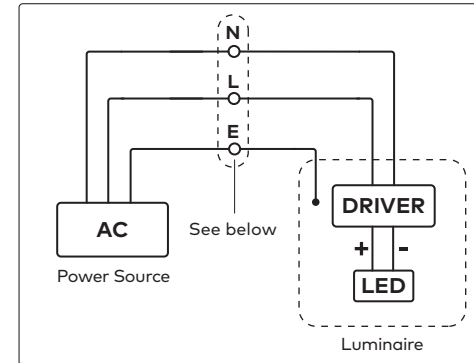
IRIS0005/IRIS0008



IRIS0015



Wiring



Driver Compatibility

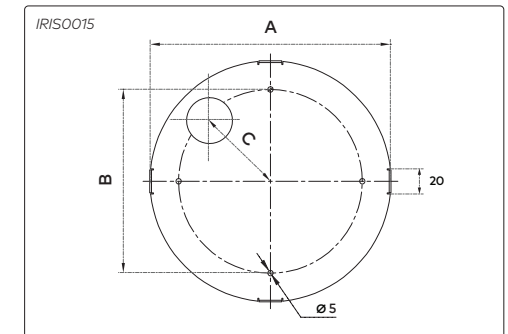
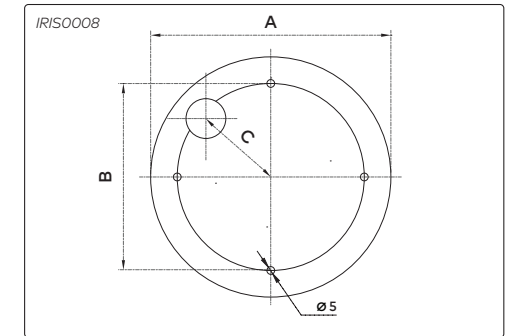
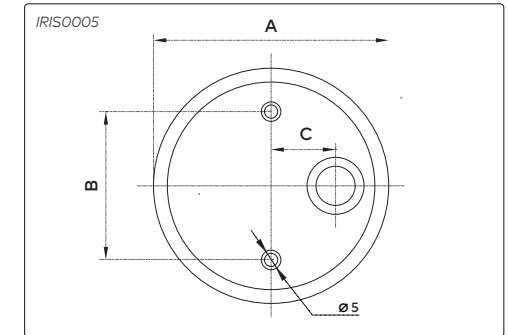
Product Code	Output Power	Driving Current	Forward Voltage
IRIS0005	5W	350mA	14-16V
IRIS0008	8W	300mA	26-28V
IRIS0015	15W	500mA	29-31V

Dimming

This luminaire can be dimmed. Unios® recommends a phase-cut dimmer optimised for LED technology. For non-standard configurations refer to driver data sheet.

For full list of compatible drivers, see unios.com

Mounting Plate



Product Code	A	B	C
IRIS0005	67.5	42	16
IRIS0008	112.5	80	38
IRIS0015	210	160	75

All measurements are in millimetres.

