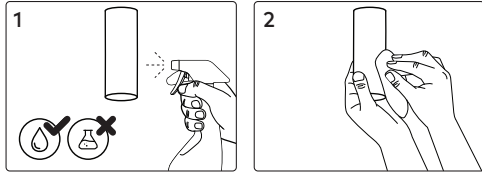


Cleaning

Warning: Before cleaning, disconnect from mains supply and allow luminaire to cool.



Corrosion Protection

It is important to note that care must be taken during installation or maintenance to ensure that the surface of the luminaire is not damaged. Any damage, which is exposed to moisture will result in corrosion occurring.

Please also note that any chemical applications on the luminaire or chemical contact via installation will cause corrosion of the surface of the luminaire and will void the warranty.

Disposal

Ensure correct disposal of this product (waste electrical and electronic equipment)



Kobe

TRACK LIGHT

Base Codes	1C Track KOBEXXX	3C Track KOBEXXX	3C DALI Track -DALI2	Power 8 15 26 35 Watts
	Class I 220-240V - 50/60Hz	IP Rating 20	Material Aluminium	Install Person/s 1x

CAUTION – This product must be installed by a qualified installer
Please read instruction manual carefully before installing luminaire

Surge Protection
For comprehensive protection of a luminaire against electrical surges, surge protection shall be installed on the mains supply where required to protect luminaires and drivers from transient voltage damage.

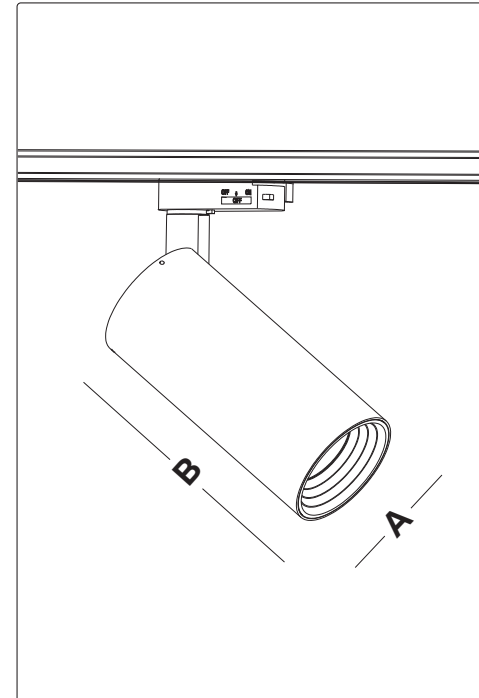
For warranty information visit unios.com/warranty

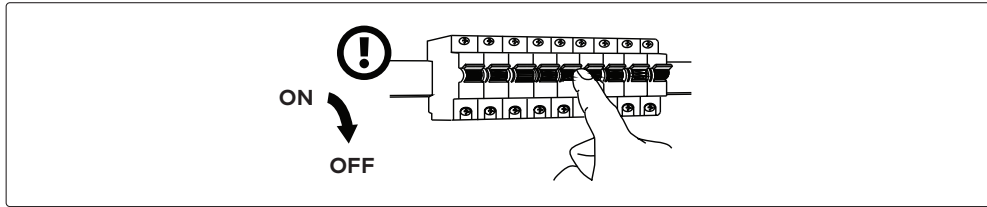
Please read these installation instructions carefully before installing this product. This product must be installed and maintained by a suitably qualified person/s in compliance with the latest applicable regulations and relevant legislation. Unios does not warrant any claim based on defects or damage caused by misuse, improper installation, improper operation and/or modifications carried out by the purchaser or third parties. This product shall not be used as a 'working light' during construction. This will result in the warranty of the product to be void. For warranty duration, please refer to the data sheet.

Sizing Variations

Product Code	A	B
KOBE1008/3008	74	147
KOBE1015/3015	74	160
KOBE1026/3026	105	170
KOBE1035/3035	105	188

All measurements are in millimetres.





MX1/MX3 KOBE1XXX/3XXX

- TURN DIAL LEFT/RIGHT
- UNLOCKED
- 5
- LOCKED
- 5

MX1C TRACK
POLARITY LINE
LOCKING TAB

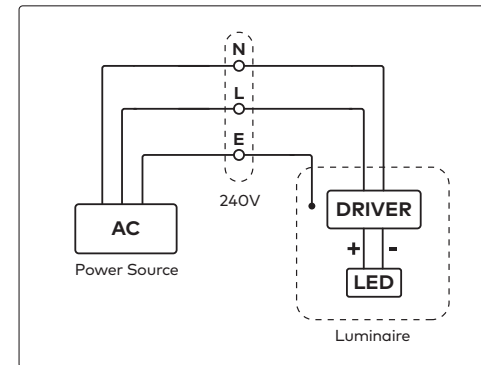
MX3C TRACK
CURTAIN RAIL
3C TRACK ADAPTOR

MX5 KOBE3XXX...-DALI2

- TURN DIAL LEFT/RIGHT
- UNLOCKED
- 5
- LOCKED
- 5

MX5C TRACK
CURTAIN RAIL
5C TRACK ADAPTOR
CURTAIN RAIL

Wiring (Built-in)



Dimming

This luminaire can be dimmed. Unios® recommends a phase-cut dimmer or DALI solution optimised for LED technology.

For full list of compatible drivers, see unios.com

Track Compatibility

Track Adaptor	MX1	MX3	MX5
Single Circuit (Phase-Cut)	●	○	○
Three Circuit (Phase-Cut)	○	●	○
Three Circuit (DALI)	○	○	●
BasicDIM Wireless (Bluetooth)	○	●	●

Refer to the MX Track Instruction Manual Sheet for track wiring.

Additional Accessories

Reflectors
See data sheet

Diffusers
See data sheet

Product Assembly

