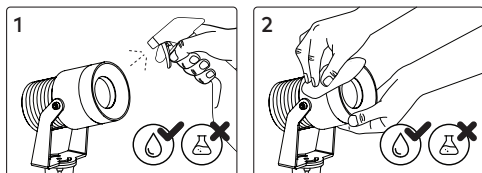


Cleaning

Warning: Before cleaning, disconnect from mains supply and allow luminaire to cool.



Disposal

Ensure correct disposal of this product (waste electrical and electronic equipment).



Corrosion Protection

It is important to note that care must be taken during installation or maintenance to ensure that the surface of the luminaire is not damaged. Any damage, which is exposed to moisture will result in corrosion occurring.

Please also note that any chemical applications on the luminaire or chemical contact via installation will cause corrosion of the surface of the luminaire and will void the warranty.

Ambient Conditions

Recommended to install in an ambient temperature <35°C.



Emerald

SPIKE SPOTLIGHT

Base Codes	Mini ESPI0003	Small ESPI0005	Medium ESPI0010	Power 3 5 10 Watts
	Class III 24V DC	IP Rating 65	Material Aluminium	Install Person/s 1x

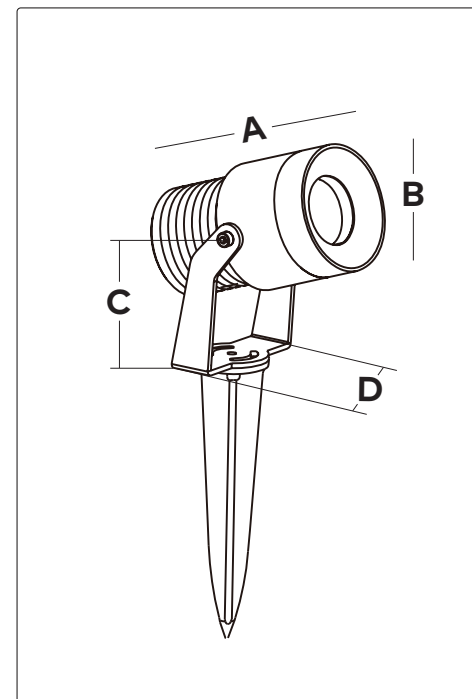
CAUTION – This product must be installed by a qualified installer
Please read instruction manual carefully before installing luminaire

Surge Protection
For comprehensive protection of a luminaire against electrical surges, surge protection shall be installed on the mains supply where required to protect luminaires and drivers from transient voltage damage.

For warranty information visit unios.com/warranty

Please read these installation instructions carefully before installing this product. This product must be installed and maintained by a suitably qualified person/s in compliance with the latest applicable regulations and relevant legislation.

Unios does not warrant any claim based on defects or damage caused by misuse, improper installation, improper operation and/or modifications carried out by the purchaser or third parties. This product shall not be used as a 'working light' during construction. This will result in the warranty of the product to be void. For warranty duration, please refer to the data sheet.



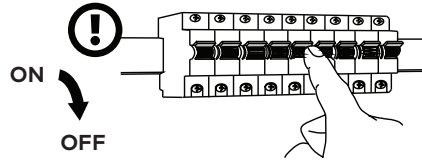
Sizing Variations

Product Code	A	B	C	D
ESPI0003	80	∅ 50	70	56
ESPI0005	100	∅ 63	78	80
ESPI0010	110	∅ 75	86	92
Spike Height	169			

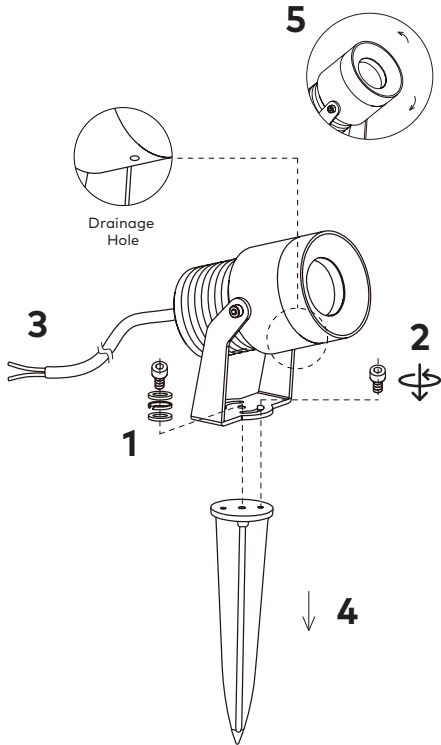
All measurements are in millimetres.

Parts

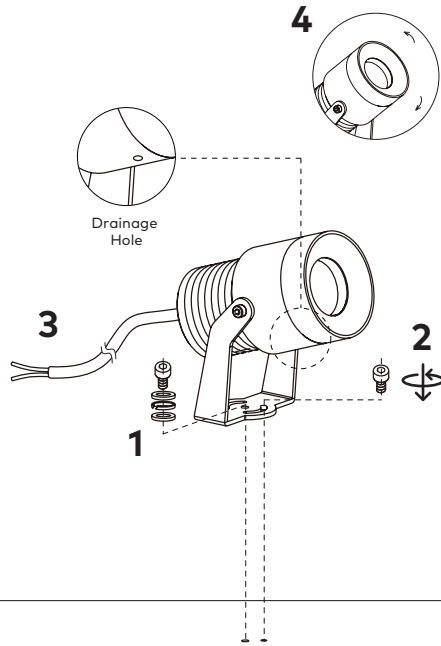
		2x
3mm Allen Key	4mm Allen Key	Heatshrink Solder Joiners



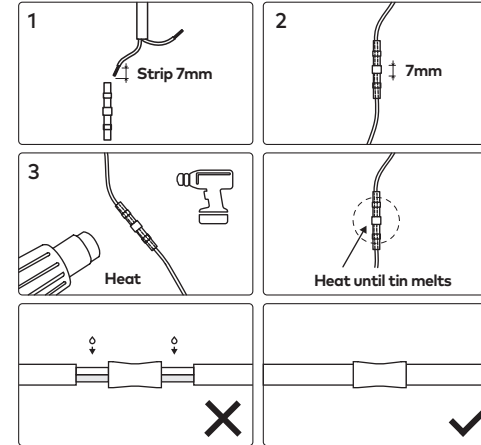
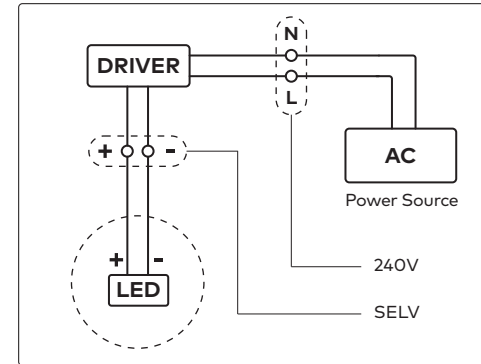
Spike Installation



Surface Mount Installation



Wiring



Driver Selection

Product Code	Output Power	Forward Voltage
ESPI0003	3W	24V DC
ESPI0005	5W	24V DC
ESPI0010	10W	24V DC

Dimming

This luminaire can not be dimmed.

