



Surge Protection

For comprehensive protection of a luminaire against electrical surges, surge protection shall be installed on the mains supply where required to protect luminaires and drivers from transient voltage damage.

For warranty information visit unios.com/warranty

Please read these installation instructions carefully before installing this luminaire. This product must be installed and maintained by a suitably qualified person/s in compliance with the latest applicable regulations and relevant legislation.

Unios does not warrant any claim based on defects or damage caused by misuse, improper installation, improper operation and/or modifications carried out by the purchaser or third parties. This luminaire will not be used as a 'Working light' during construction. This will result in the warranty of the luminaire to be void. For warranty duration, please refer to the data sheet.

Cleaning

Always clean carefully using a soft cloth and a ph-neutral, alcohol-free, non-abrasive cleaning cloth. Clean & Maintain the finish twice a year to avoid rust, oxidation or limescale deposits. If this entire surface is not cleaned correctly, the finish may become uneven.

Do not use abrasive pads, discs, sandpaper and/or high pressure hose/gun to clean the luminaire.

Disposal

Ensure correct disposal of this product (waste electrical and electronic equipment)



Pandia

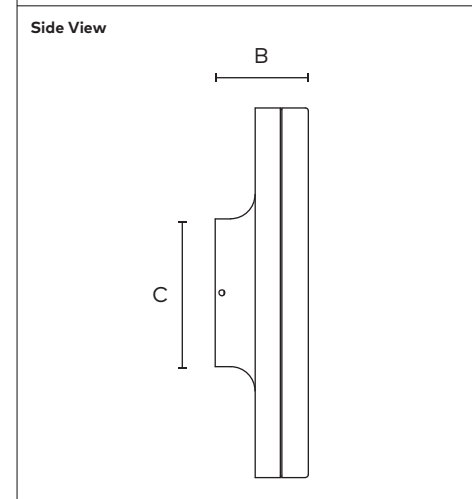
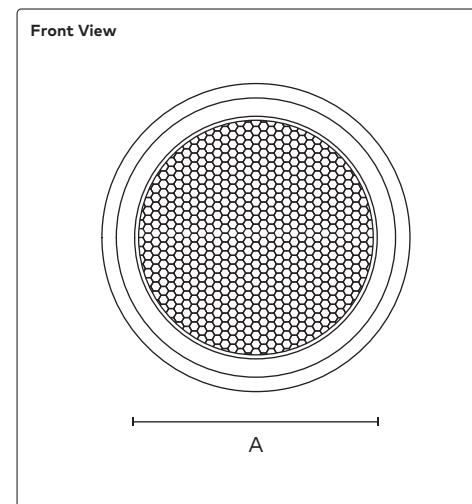
WALL LIGHT

Base Codes	Small PANW0130	Medium PANW0250
-------------------	--------------------------	---------------------------



Class I 220-240V ~ 50/60Hz	Material Aluminium	Operating Temp <35°C	Install Person/s 1x	Power 4-9 Watts
--------------------------------------	------------------------------	--------------------------------	-------------------------------	---------------------------

CAUTION – This product must be installed by a qualified installer
Please read instruction manual carefully before installing luminaire



Sizing Variations

Product Code	A	B	C
PANW0130	Ø 130	63	Ø 72
PANW0250	Ø 250	63	Ø 100

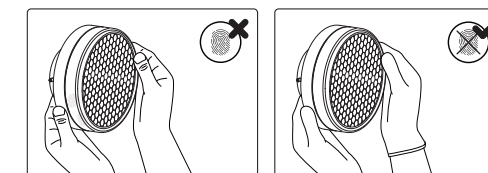
All measurements are in millimetres.

Parts

 2mm Hex Allen Key	2x M4x25 Plug & Screw PANW0130	OR	4x M4x25 Plug & Screw PANW0250
3x Heatshrink Solder Joiners	 Glove PANW0130	OR	2x Gloves PANW0250

Gloves Recommended

To avoid leaving marks and finger prints, gloves are recommended for the installation of the Pandia Wall Light.



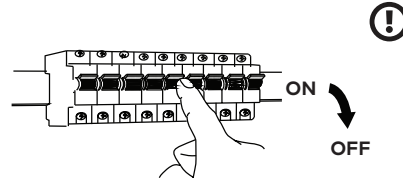
Product Installation

CAUTION



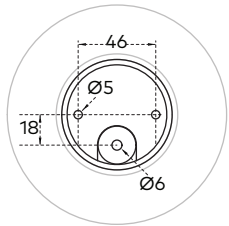
Switch off main electrical power prior to installing and powering this luminaire.

Do not open luminaire whilst the main electrical power is active.

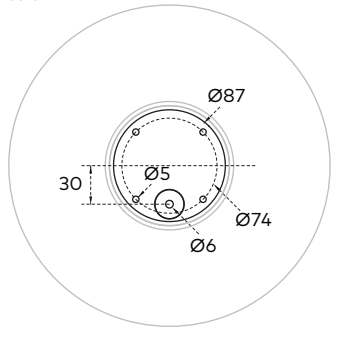


Mounting Bracket

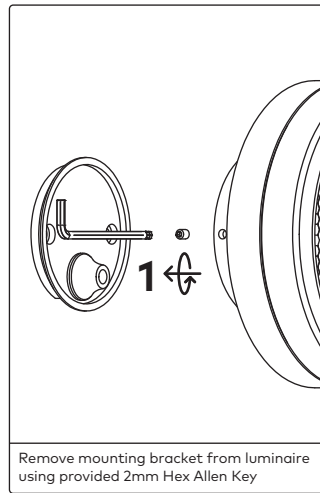
Small



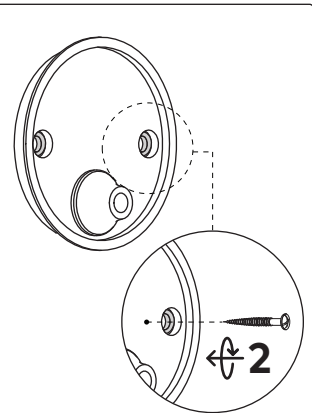
Medium



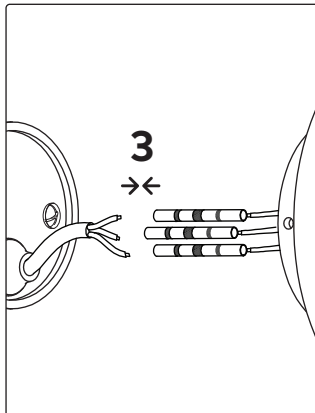
All measurements are in millimetres.



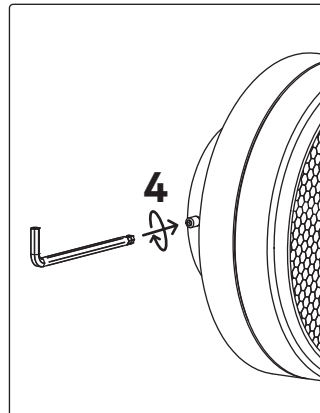
Remove mounting bracket from luminaire using provided 2mm Hex Allen Key



Fasten mounting bracket to surface using supplied M4x30 screws and ensure washers are in screw holes

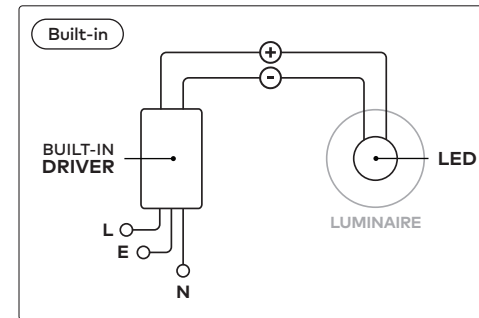


Match polarity and connect L-E-N using provided Heatsink Solder Joiners (Refer to wiring)



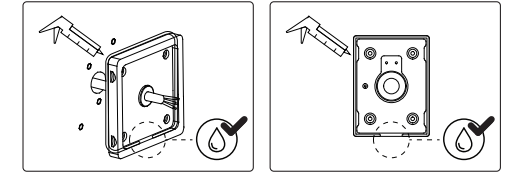
Attach luminaire to mounting bracket and tighten screws using provided allen key to complete installation.

Wiring



IP65/66 Installations

To ensure a complete seal around the mounting area, an exterior grade caulk must be used around the perimeter of the back of the mounting plate. **Do not caulk bottom of mounting plate to ensure sufficient drainage.**



Dimming

This luminaire can be dimmed. Unios® recommends a phase-cut dimmer optimised for LED technology. For non-standard configurations refer to driver data sheet.

For full list of compatible drivers, see unios.com

Driver Compatibility

Product Code	Output Power	Driving Current	Forward Voltage
PANW0130	4W	100mA	34-38V
PANW0250	9W	260mA	34-38V