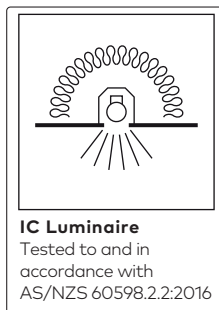


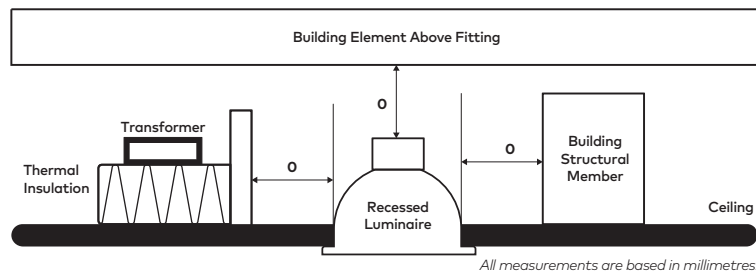
**Minimum clearance (for recessed models only)**

ⓘ **Risk of Fire** – Required clearance from structure members and building elements. Details below:



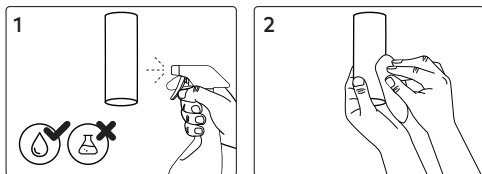
Barrier required for loose fill insulation or loose combustible materials

*Please ensure the driver is fixed above any insulation*



**Cleaning**

Warning: Before cleaning, disconnect from mains supply and allow luminaire to cool.



**Disposal**

Ensure correct disposal of this product (waste electrical and electronic equipment)



**Corrosion Protection**

It is important to note that care must be taken during installation or maintenance to ensure that the surface of the luminaire is not damaged. Any damage, which is exposed to moisture will result in corrosion occurring.

Please also note that any chemical applications on the luminaire or chemical contact via installation will cause corrosion of the surface of the luminaire and will void the warranty.

**Kobe**

SERIES

<b>Base Codes</b>	<b>1C Track</b> KOB1XXX	<b>3C Track</b> KOB3XXX	<b>Surface Mounted</b> KOBESXXX	<b>Recessed</b> KOBERXXX	<b>Power</b> 8   15   26   35 Watts
	<b>Class I</b> 220–240V – 50/60Hz	<b>IP Rating</b> 20	<b>Material</b> Aluminium	<b>Install Person/s</b> 1x	

ⓘ **CAUTION – This product must be installed by a qualified installer**  
Please read instruction manual carefully before installing luminaire

**Surge Protection**  
For comprehensive protection of a luminaire against electrical surges, surge protection shall be installed on the mains supply where required to protect luminaires and drivers from transient voltage damage.

**For warranty information visit unios.com/warranty**

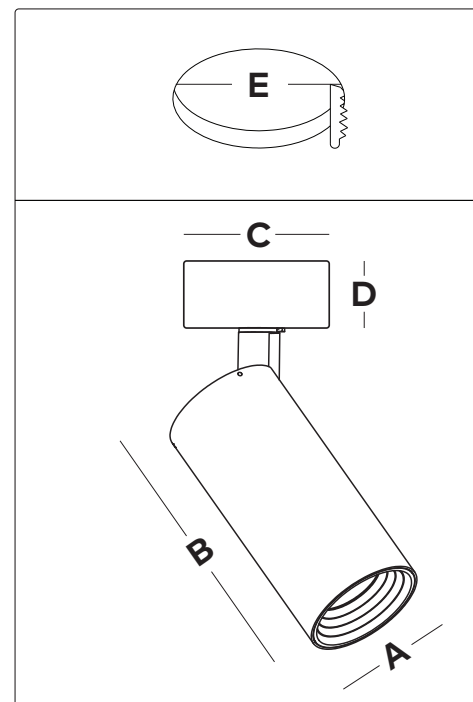
Please read these installation instructions carefully before installing this luminaire. This product must be installed and maintained by a suitably qualified person/s in compliance with the latest applicable regulations and relevant legislation.

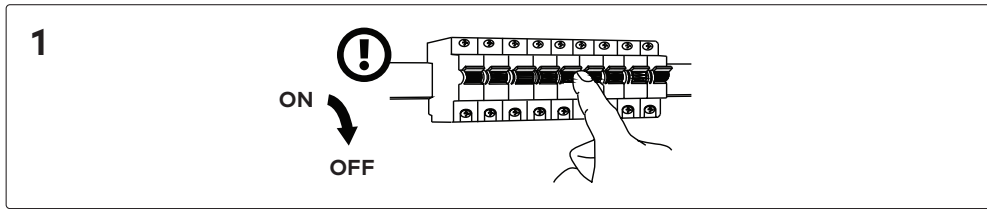
Unios does not warrant any claim based on defects or damage caused by misuse, improper installation, improper operation and/or modifications carried out by the purchaser or third parties. This luminaire will not be used as a 'Working light' during construction. This will result in the warranty of the luminaire to be void. For warranty duration, please refer to the data sheet.

**Sizing Variations**

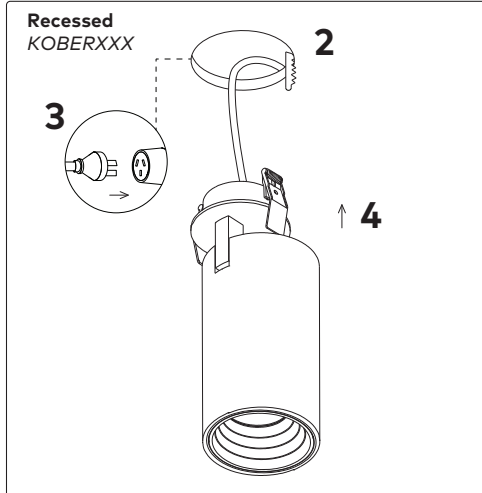
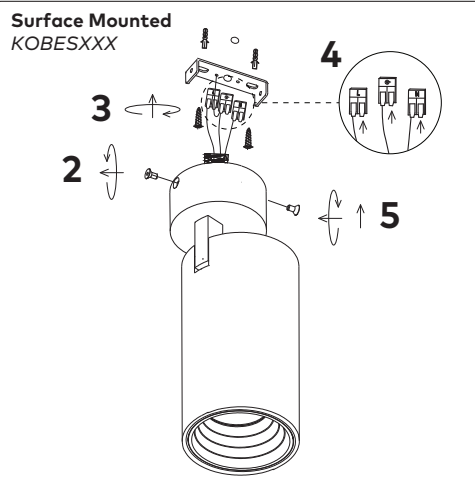
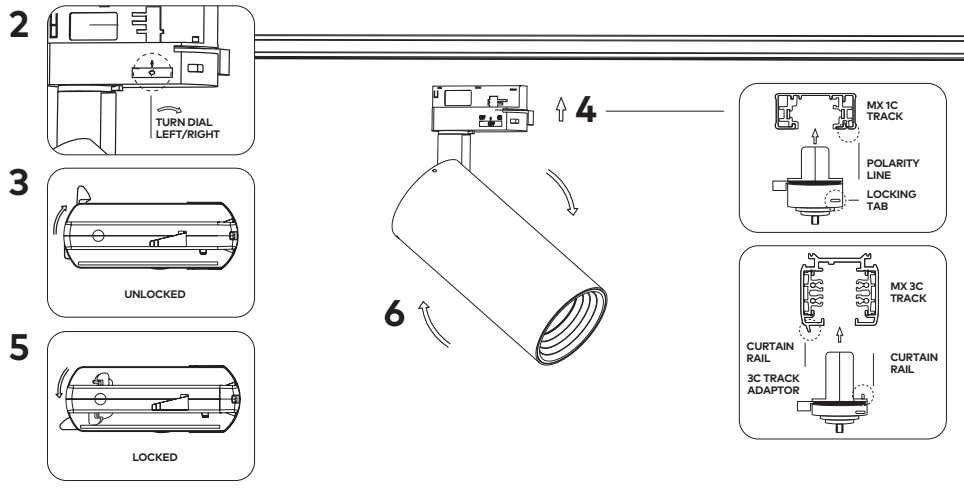
Product Code	A	B	C	D	E
KOBE1008/3008	74	147	-	-	-
KOBE1015/3015	74	160	-	-	-
KOBE1026/3026	105	170	-	-	-
KOBE1035/3035	105	188	-	-	-
KOBES008	74	147	Ø 74	40	-
KOBES015	74	160	Ø 74	40	-
KOBES026	105	170	Ø 104	40	-
KOBES035	105	188	Ø 104	40	-
KOBER008	74	147	Ø 90	45	Ø 76
KOBER015	74	160	Ø 90	45	Ø 76
KOBER026	105	170	Ø 104	45	Ø 92
KOBER035	105	188	Ø 104	45	Ø 92

All measurements are in millimetres.

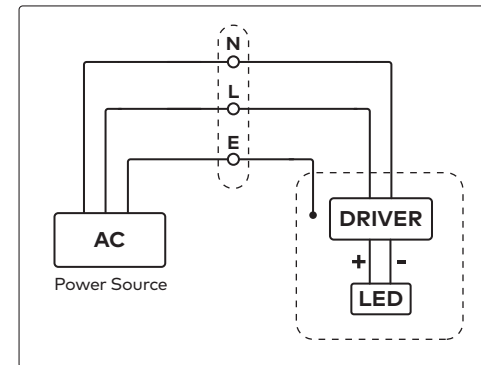




**Track**  
KOBEXXX/3XXX



**Wiring**



**Dimming**

This luminaire can be dimmed. Unios® recommends a phase-cut dimmer or DALI solution optimised for LED technology.

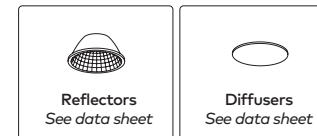
For full list of compatible drivers, see unios.com

**Additional Accessories**

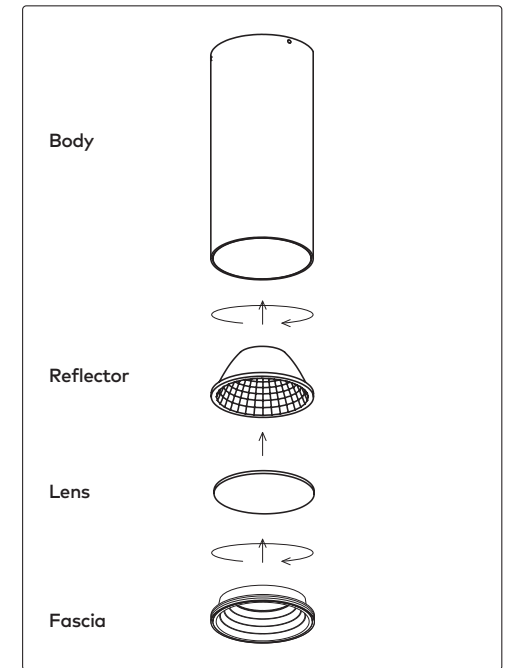
Track Adaptor	MX1	MX3	MX5
Single Circuit (Phase-Cut)	●	○	○
Three Circuit (Phase-Cut)	○	●	○
Three Circuit (DALI)	○	○	●
BasicDIM Wireless (Bluetooth)	○	●	●

Refer to the MX Track Instruction Manual Sheet for track wiring.

**Track Compatibility**

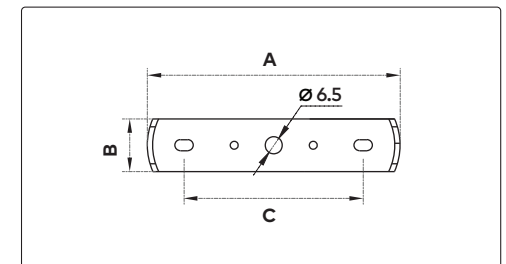


**Product Assembly**



**Mounting Plate**

Surface mounted models only



Product Code	A	B	C
KOBES008/015	63.5	18	42.5
KOBES026/035	96	20	68

All measurements are in millimetres.

